

PARTS LIST

[FS-M3]

* All printed circuit boards and its assemblies are not available as service parts.

Area suffix	
J	U.S.A.
C	Canada

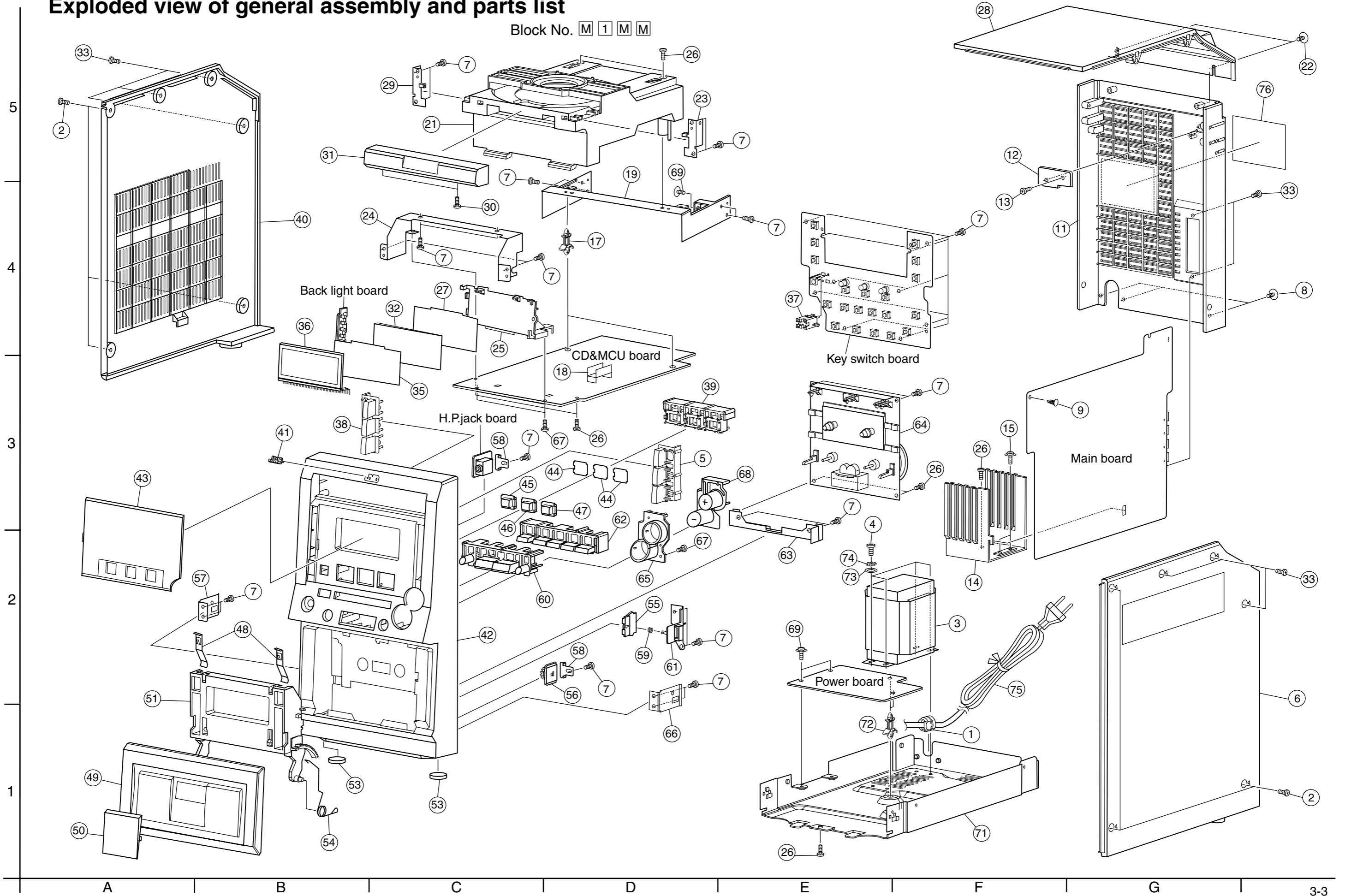
- Contents -

Exploded view of general assembly and parts list (Block No.M1)	3- 3
Electrical parts list (Block No.01~04)	3- 5
Packing materials and accessories parts list (Block No.M3,M5)	3-12

< M E M O >

Exploded view of general assembly and parts list

Block No. **M 1 M M**



■ Parts list (General assembly)

Block No. M1MM

Item	Parts number	Parts name	Q'ty	Description	Area
1	OW84-10002-02	S.R BUSHING	1	SR-F41 AC CORD	
2	OW40-23010-52	SCREW	6	M3X10 BH/MS TAP.	
3	OW15-80003-02	TRANSFORMER	1	EI-66 WHS66-36Q1E M3	
4	OW40-10408-81	SCREW	4	D4X8 BH	
5	OW53-30000-01	KEY BUTTON	1	OPEN/CLOSE	
6	OW61-30000-02	SIDE PLATE	1	RIGHT	C
	OW61-30000-06	SIDE PLATE	1	RIGHT	J
7	OW40-13008-91	SCREW	34	D3X8,BH/ST, PITCH	
8	OW40-03008-53	SCREW	3	M3X8 WH/MS TAPTITE	
9	OW84-30000-02	PCB LOCK SUPPOR	1	RS-3	
11	OW61-30000-04	REAR CABINET	1	94V2	J
	OW61-30000-07	REAR CABINET	1	94HB	C
12	OW11-80003-08	PCB WASHER	1	94HB 1.6MM	
13	OW40-12606-21	SCREW	1	D2.6X6 BH/ST BLK	
14	OW39-00155-07	HEAT SINK	1	MC155 POWER IC	
15	OW40-13008-03	SCREW	2	D3X8 WH/ST	
17	OW84-30000-05	PCB LOCK SUPPOR	2	H=12.7	
18	OW39-00013-00A	HEAT SINK	1	CDT13	
19	OW39-30000-03	MOUNT BRACKET	1	CD REAR	
21	OW98-00110-02	CD MECHA	1	TCP11TK3+TD001	
22	OW40-13010-03	SCREW	2	D3X10 WH/ST	
23	OW39-30000-01	CD F. MOUNT BKT	1	RIGHT	
24	OW39-30000-02	CD F. MOUNT BKT	1		
25	OW48-30000-01	LCD BLACKET	1		
26	OW40-03006-81	SCREW	8	M3X6 BH/MS BLK	
27	OW68-30000-00	LIGHT GUIDE PAPER	1	0.1TH	
28	OW60-30000-04	TOP CABINET	1		J
	OW60-30000-01	TOP CABINET	1		C
29	OW39-30000-00	CD F. MOUNT BKT	1	LEFT	
30	OW40-12605-21	SCREW	2	D2.6X5 BH/ST BLK	
31	OW66-30000-00	CD DOOR	1		
32	OW43-30000-05	LIGHT GUIDE	1		
33	OW40-13012-01	SCREW	8	D3X12 BH/ST	
35	OW68-30000-01	LCD FILTER	1		
36	OW91-80003-00	LCD	1	914117T-P(YEEBO)	
37	OW48-30000-02	REMOTE SENSOR	1		
38	OW53-30000-00	KEY BUTTON	1	STANDBY	
39	OW53-30000-04	KEY BUTTON	1	FUNCTION	
40	OW61-30000-01	SIDE PLATE	1	LEFT 94HB	C
	OW61-30000-05	SIDE PLATE	1	LEFT 94V2	J
41	OW55-30000-00	BAGE	1		
42	OW60-30000-03	FRONT CABINET	1	94V2	J
	OW60-30000-05	FRONT CABINET	1	94HB	C
43	OW43-30000-09	DISPLAY LENS	1		
44	OW68-30000-02	F.KEY FILTER	3	TD207	
45	OW43-30000-02	LENS	1	FUNCTION KEY CD	
46	OW43-30000-03	LENS	1	FUNCTION KEY TUNER	
47	OW43-30000-04	LENS	1	FUNCTION KEY TAPE	

■ Parts list (General assembly)

Block No. M1MM

Item	Parts number	Parts name	Q'ty	Description	Area
48	OW39-30000-07	CASS TAPE SPRING	2		
49	OW66-30000-01	CASS DOOR COVER	1		
50	OW43-30000-01	CASS DOOR LENS	1		
51	OW66-00155-03	TECHNICAL DOOR	1	MC155	
53	OW81-00155-01	MC155 RUBER FOOT	2	D16X3MM PORON	
54	OW36-30000-00	TORSION SPRING	1	D1.0MM	
55	OW49-00155-01	LATCH CAM	1	MC155	
56	OW63-00155-01	DAMP GEAR	1	313911873620	
57	OW39-30000-04	BRACKET	1	LEFT	
58	OW39-00155-13	D. GEAR HOLDER	2		
59	OW36-00155-03A	COMPRESS SPRING	1	M155 (4MML)	
60	OW53-30000-02	KEY BUTTON	1	RECORD/DIRECTION	
61	OW49-00155-02	LATCH CAM HOLDER	1	MC155	
62	OW53-30000-03	KEY BUTTON	1	STOP/PROGRAM	
63	OW39-00055-01	DECK MECHA BKT	1	MC55	
64	OW94-34315-00	CASSETTE MECHA	1	CFL4315	
65	OW48-30000-00	ORNAMENT	1	RING	
66	OW39-30000-05	BRACKET	1	RIGHT	
67	OW40-12608-21	SCREW	3	D2.6X8 BH/ST	
68	OW53-30000-05	KEY BUTTON	1	VOLUME	
69	OW40-03006-53	SCREW	3	M3X6 WH/MS TAP	
71	OW39-30000-06	BOTTOM CASE	1		
72	OW84-30000-04	PCB LOCK SUPPOR	2	H=9.6	
73	OW35-00010-03	METAL WASHER	4	D10XD4X1MM	
74	OW35-20001-01	TOOTH WASHER	4	EXTERNAL M4	
75	OW30-00027-10	AC CORD	1		
76	OW87-30000-21	RATING LABEL	1		J
	OW87-30000-23	RATING LABEL	1		C

■ Electrical parts list (Main board)

Block No. 01

△	Item	Parts number	Parts name	Remarks	Area	△	Item	Parts number	Parts name	Remarks	Area
	CF101	OW09-50450-00J	CER FILTER	SFU450B 450HK2			C201	OW05-00151-00	C.CAPACITOR	150PF	
	CF102	OW09-50107-20J	CER FILTER	LT10.7MFS3(RE D)			C202	OW05-02182-10	MYLAR CAPACITOR	0.0018MF 10%	
	CF103	OW09-50107-07J	CER.DIS	JT10.7MFG82			C203	OW06-50105-02T	E.CAPACITOR	1MF 50V	
	CN101	OW20-12020-01K	CONNECTOR	P=2.5MM 2PIN			C204	OW06-16227-02	E.CAPACITOR	220MF 16V	
	CN102	OW20-41102-27	CONNECTOR	P=2MM 10PIN			C205	OW05-02102-10	MYLAR CAPACITOR	0.001MF 10%	
	CN201	OW20-11070-00	CONNECTOR	P=2MM 7PIN			C206	OW05-02102-10	MYLAR CAPACITOR	0.001MF 10%	
	CN301	OW20-41082-34	CONNECTOR	P=2MM 8PIN			C207	OW06-50475-02	E.CAPACITOR	4.7MF 50V	
	CN302	OW20-61033-24	CONNECTOR	GRY 3PIN			C208	OW06-16227-02	E.CAPACITOR	220MF 16V	
	CN303	OW20-42041-40	CONNECTOR	P=2.5MM 4PIN			C209	OW05-02272-10	MYLAR CAPACITOR	0.0027MF 10%	
	CN401	OW12-00006-00Q	CONNECTOR	SPK TERMFINAL			C210	OW05-00331-00	C.CAPACITOR	330PF	
	CN402	OW20-11040-00	CONNECTOR	P=2MM 4PIN			C211	OW06-50475-02	E.CAPACITOR	4.7MF 50V	
	C102	OW05-00223-00	C.CAPACITOR	0.022MFF 10% 50V			C212	OW05-02332-10	MYLAR CAPACITOR	0.0033MF 10%	
	C104	OW05-09391-05	MYLAR CAPACITOR	390MF 5%			C213	OW05-02563-10	MYLAR CAPACITOR	0.056MF 10%	
	C105	OW05-00100-06	C.CAPACITOR	10PF 5%			C214	OW05-02473-10	MYLAR CAPACITOR	0.047MF 10%	
	C116	OW05-00104-00	C.CAPACITOR	0.1MF 10% 50V			C215	OW06-50224-02	E.CAPACITOR	0.22MF 50V	
	C117	OW05-00104-00	C.CAPACITOR	0.1MF 10% 50V			C216	OW06-16476-02	E.CAPACITOR	47MF 16V	
	C118	OW05-00102-00	C.CAPACITOR	0.001MF 10% 50V			C217	OW05-02272-10	MYLAR CAPACITOR	0.0027MF 10%	
	C119	OW05-00102-00	C.CAPACITOR	0.001MF 10% 50V			C220	OW05-00151-00	C.CAPACITOR	150PF	
	C120	OW05-00120-06	C.CAPACITOR	12PF 5%			C221	OW05-00151-00	C.CAPACITOR	150PF	
	C121	OW05-00102-00	C.CAPACITOR	0.001MF 10% 50V			C222	OW05-00151-00	C.CAPACITOR	150PF	
	C122	OW05-00331-00	C.CAPACITOR	330PF			C223	OW05-02182-10	MYLAR CAPACITOR	0.0018MF 10%	
	C123	OW06-16106-02	E.CAPACITOR	10MF 16V			C224	OW06-50105-02T	E.CAPACITOR	1MF 50V	
	C124	OW06-50105-02T	E.CAPACITOR	1MF 50V			C225	OW06-16227-02	E.CAPACITOR	220MF 16V	
	C125	OW06-50104-00	E.CAPACITOR	0.1MF 50V			C226	OW06-50475-02	E.CAPACITOR	4.7MF 50V	
	C126	OW06-50104-00	E.CAPACITOR	0.1MF 50V			C227	OW06-16227-02	E.CAPACITOR	220MF 16V	
	C127	OW06-50474-20	E.CAPACITOR	0.47MF 50V			C228	OW05-00331-00	C.CAPACITOR	330PF	
	C128	OW05-00103-00	C.CAPACITOR	0.01MF 10% 50V			C229	OW06-50475-02	E.CAPACITOR	4.7MF 50V	
	C129	OW06-16227-02	E.CAPACITOR	220MF 16V			C230	OW05-02272-10	MYLAR CAPACITOR	0.0027MF 10%	
	C131	OW05-00333-00	C.CAPACITOR	0.033MF 10% 50V			C231	OW05-02473-10	MYLAR CAPACITOR	0.047MF 10%	
	C132	OW06-50475-02	E.CAPACITOR	4.7MF 50V			C232	OW05-02332-10	MYLAR CAPACITOR	0.0033MF 10%	
	C133	OW06-50475-02	E.CAPACITOR	4.7MF 50V			C233	OW05-02563-10	MYLAR CAPACITOR	0.056MF 10%	
	C134	OW06-50475-02	E.CAPACITOR	4.7MF 50V			C234	OW06-16106-02	E.CAPACITOR	10MF 16V	
	C137	OW05-02123-10	MYLAR CAPACITOR	0.012MF 10%			C235	OW06-16227-02	E.CAPACITOR	220MF 16V	
	C138	OW05-02123-10	MYLAR CAPACITOR	0.012MF 10%			C236	OW05-00223-00	C.CAPACITOR	0.022MF 10% 50V	
	C139	OW05-00222-00	C.CAPACITOR	0.0022MF 50V			C237	OW06-50224-02	E.CAPACITOR	0.22MF 50V	
	C140	OW05-00103-00	C.CAPACITOR	0.01MF 10% 50V			C238	OW06-16106-02	E.CAPACITOR	10MF 16V	
	C141	OW06-16227-02	E.CAPACITOR	220MF 16V			C239	OW05-02272-10	MYLAR CAPACITOR	0.0027MF 10%	
	C142	OW05-00101-06	C.CAPACITOR	100PF 5%			C240	OW05-02682-10	MYLAR CAPACITOR	0.0068MF 10%	
	C143	OW05-00103-00	C.CAPACITOR	0.01MF 10% 50V			C241	OW05-02102-10	MYLAR CAPACITOR	0.001MF 10%	
	C144	OW05-00101-06	C.CAPACITOR	100PF 5%			C242	OW05-02102-10	MYLAR CAPACITOR	0.001MF 10%	
	C145	OW05-00222-00	C.CAPACITOR	0.0022MF 50V			C243	OW06-16107-02	E.CAPACITOR	100MF 16V	
	C147	OW06-50335-02	E.CAPACITOR	3.3MF 50V			C250	OW05-00223-00	C.CAPACITOR	0.022MF 10% 50V	
	C148	OW05-00223-00	C.CAPACITOR	0.022MF 10% 50V			C251	OW05-02102-10	MYLAR CAPACITOR	0.001MF 10%	
	C149	OW06-16227-02	E.CAPACITOR	220MF 16V			C301	OW05-00223-00	C.CAPACITOR	0.022MF 10% 50V	
	C150	OW05-00223-00	C.CAPACITOR	0.022MF 10% 50V			C302	OW06-16476-02	E.CAPACITOR	47MF 16V	
	C152	OW05-00102-00	C.CAPACITOR	0.001MF 10% 50V			C303	OW06-50475-02	E.CAPACITOR	4.7MF 50V	
	C155	OW06-50105-02T	E.CAPACITOR	1MF 50V			C304	OW06-50475-02	E.CAPACITOR	4.7MF 50V	
	C156	OW05-00223-00	C.CAPACITOR	0.022MF 10% 50V			C305	OW06-50475-02	E.CAPACITOR	4.7MF 50V	
	C157	OW05-00300-06	C.CAPACITOR	30PF 5%			C306	OW06-50475-02	E.CAPACITOR	4.7MF 50V	
	C158	OW05-00300-06	C.CAPACITOR	30PF 5%			C307	OW06-50475-00	E.CAPACITOR	4.7MF 50V	
	C159	OW05-00223-00	C.CAPACITOR	0.022MF 10% 50V			C308	OW06-50475-02	E.CAPACITOR	4.7MF 50V	
	C160	OW06-16227-02	E.CAPACITOR	220MF 16V			C309	OW06-50475-02	E.CAPACITOR	4.7MF 50V	
	C161	OW05-00220-06	C.CAPACITOR	22PF 5%			C310	OW06-50475-02	E.CAPACITOR	4.7MF 50V	
	C162	OW05-00103-00	C.CAPACITOR	0.01MF 10% 50V			C311	OW06-50225-02	E.CAPACITOR	2.2MF 50V	
	C163	OW05-00470-06	C.CAPACITOR	47PF 5%			C312	OW06-50225-00	E.CAPACITOR	2.2MF 50V	
	C164	OW05-00200-06	C.CAPACITOR	20PF 5%			C313	OW05-00470-06	C.CAPACITOR	47PF 5%	
	C165	OW05-00104-00	C.CAPACITOR	0.1MF 10% 50V			C314	OW05-00470-06	C.CAPACITOR	47PF 5%	
	C166	OW05-00104-00	C.CAPACITOR	0.1MF 10% 50V			C320	OW06-50475-02	E.CAPACITOR	4.7MF 50V	
	C167	OW05-00104-00	C.CAPACITOR	0.1MF 10% 50V			C321	OW06-50475-02	E.CAPACITOR	4.7MF 50V	
	C168	OW05-00223-00	C.CAPACITOR	0.022MF 10% 50V			C322	OW05-02104-10	MYLAR CAPACITOR	0.1MF 10%	
	C169	OW06-16227-02	E.CAPACITOR	220MF 16V			C323	OW05-02104-10	MYLAR CAPACITOR	0.1MF 10%	
	C171	OW05-00223-00	C.CAPACITOR	0.022MF 10% 50V			C324	OW06-50105-90	E.CAPACITOR	1MF 10% 50V	
	C190	OW05-00102-00	C.CAPACITOR	0.001MF 10% 50V			C325	OW06-50105-90	E.CAPACITOR	1MF 10% 50V	

■ Electrical parts list (Main board)

Block No. 01

△	Item	Parts number	Parts name	Remarks	Area
	C326	OW06-50475-02	E.CAPACITOR	4.7MF 50V	
	C327	OW06-50475-02	E.CAPACITOR	4.7MF 50V	
	C328	OW05-02103-10	MYLAR CAPACITOR	0.01MF 10%	
	C329	OW05-02103-10	MYLAR CAPACITOR	0.01MF 10%	
	C330	OW06-16227-02	E.CAPACITOR	220MF 16V	
	C331	OW05-00104-00	C.CAPACITOR	0.1MF 10% 50V	
	C332	OW06-16337-02	E.CAPACITOR	330MF 16V	
	C334	OW06-16227-02	E.CAPACITOR	220MF 16V	
	C335	OW05-00223-00	C.CAPACITOR	0.022MF 10% 50V	
	C336	OW06-16476-02	E.CAPACITOR	47MF 16V	
	C341	OW06-16107-02	E.CAPACITOR	100MF 16V	
	C342	OW05-00104-00	C.CAPACITOR	0.1MF 10% 50V	
	C343	OW06-25107-00T	E.CAPACITOR	100MF 25V	
	C344	OW06-25228-00	E.CAPACITOR	2200MF 25V	
	C401	OW06-50225-02	E.CAPACITOR	2.2MF 50V	
	C402	OW06-50225-02	E.CAPACITOR	2.2MF 50V	
	C403	OW05-00331-00	C.CAPACITOR	330PF	
	C404	OW05-00331-00	C.CAPACITOR	330PF	
	C405	OW06-16106-02	E.CAPACITOR	10MF 16V	
	C406	OW06-50225-02	E.CAPACITOR	2.2MF 50V	
	C407	OW06-50225-02	E.CAPACITOR	2.2MF 50V	
	C408	OW06-25107-00T	E.CAPACITOR	100MF 25V	
	C409	OW06-25107-00T	E.CAPACITOR	100MF 25V	
	C410	OW05-02104-10	MYLAR CAPACITOR	0.1MF 10%	
	C411	OW05-02104-10	MYLAR CAPACITOR	0.1MF 10%	
	C412	OW06-25108-00	E.CAPACITOR	1000MF 25V	
	C413	OW06-25108-00	E.CAPACITOR	1000MF 25V	
	C414	OW06-50107-02	E.CAPACITOR	100MF 50V	
△	C415	OW06-50228-00	E.CAPACITOR	2200MF 20% 50V	
	C416	OW05-07104-00	C.CAPACITOR	0.1MF 50V	
	C417	OW06-16107-02	E.CAPACITOR	100MF 16V	
	C420	OW06-50225-02	E.CAPACITOR	2.2MF 50V	
	C421	OW06-50225-02	E.CAPACITOR	2.2MF 50V	
	C422	OW06-16476-02	E.CAPACITOR	47MF 16V	
	C423	OW05-00101-06	C.CAPACITOR	100PF 5%	
	C424	OW05-00101-06	C.CAPACITOR	100PF 5%	
	C425	OW05-00101-06	C.CAPACITOR	100PF 5%	
	C426	OW05-00101-06	C.CAPACITOR	100PF 5%	
	C427	OW06-16476-02	E.CAPACITOR	47MF 16V	
	C428	OW06-16476-02	E.CAPACITOR	47MF 16V	
	C429	OW06-16227-02	E.CAPACITOR	220MF 16V	
	C430	OW06-16227-02	E.CAPACITOR	220MF 16V	
	C431	OW05-00223-00	C.CAPACITOR	0.022MF 10% 50V	
	C432	OW06-35227-00	E.CAPACITOR	220MF 35V	
	C433	OW05-00101-06	C.CAPACITOR	100PF 5%	
	C434	OW05-00101-06	C.CAPACITOR	100PF 5%	
	C435	OW06-35107-00	E.CAPACITOR	100MF 35V	
	C451	OW05-00104-00	C.CAPACITOR	0.1MF 10% 50V	
	C452	OW05-00104-00	C.CAPACITOR	0.1MF 10% 50V	
	C453	OW05-00104-00	C.CAPACITOR	0.1MF 10% 50V	
	D101	OW02-00348-00	TUNING DIODE	SVC348-S	
	D103	OW02-00201-00	TUNING DIODE	SVC201SPA	
	D104	OW02-00201-00	TUNING DIODE	SVC201SPA	
	D105	OW02-04148-00R	DIODE	1N4148	
	D108	OW02-04148-00R	DIODE	1N4148	
	D109	OW02-04148-00R	DIODE	1N4148	
	D110	OW02-04148-00R	DIODE	1N4148	
	D111	OW02-04148-00R	DIODE	1N4148	
	D201	OW02-04148-00R	DIODE	1N4148	
	D202	OW02-04148-00R	DIODE	1N4148	
	D301	OW02-04148-00R	DIODE	1N4148	
	D302	OW02-04148-00R	DIODE	1N4148	
	D303	OW02-04148-00R	DIODE	1N4148	

△	Item	Parts number	Parts name	Remarks	Area
	D401	OW02-04148-00R	DIODE	1N4148	
	D402	OW02-04148-00R	DIODE	1N4148	
	FMANT	OW29-00003-00	FM ANT WIRE	26UL-1007 BLK.	
	IC101	OW03-02104-01	IC	TA2104BN	
	IC102	OW03-09257-01	IC	TC9257F	
	IC201	OW03-01330-00	IC	UPC1330HA	
	IC202	OW03-07312-00	IC	AN7312	
	IC301	OW03-09422-00	IC	TC9422F	
△	IC302	OW03-07812-00	IC	NJM7812A	
△	IC401	OW03-04282-00	IC	LA4282	
	IC402	OW03-04558-03	IC	BA4558N	
	LL105	OW81-10001-00	CUSHION	10X10X10MM	
	L101	OW08-01014-02	IFT	1A1014N 10MM	
	L102	OW08-45635-00	AM ANT COIL	MRHNF-45635GG	
	L105	OW09-45045-00	FM COIL	D4.5X4.5T 0.8MM	
	L106	OW09-02750-05	FM OSC.COIL	2422 549 43772	
	L107	OW09-70101-00	INDUCTOR	10MH	
	L108	OW09-70101-00	INDUCTOR	10MH	
	L201	OW09-40474-00W	CHOKO COIL	47MH D6X8MM	
	L202	OW09-40474-00W	CHOKO COIL	47MH D6X8MM	
	L203	OW08-07163-00	BIAS OSC COIL	7LIA63N LIK HANG	
	Q113	OW01-00945-16	TRANSISTOR	2SC945P	
	Q114	OW01-00945-16	TRANSISTOR	2SC945P	
	Q115	OW01-00945-16	TRANSISTOR	2SC945P	
	Q117	OW01-00733-16	TRANSISTOR	2SA733P	
	Q118	OW01-00945-16	TRANSISTOR	2SC945P	
	Q119	OW01-09018-07	TRANSISTOR	9018G	
	Q121	OW01-00945-16	TRANSISTOR	2SC945P	
	Q122	OW01-00945-16	TRANSISTOR	2SC945P	
	Q123	OW01-00945-16	TRANSISTOR	2SC945P	
	Q124	OW01-00945-16	TRANSISTOR	2SC945P	
	Q201	OW01-08050-04S	TRANSISTOR	8050D	
	Q202	OW01-00945-16	TRANSISTOR	2SC945P	
	Q203	OW01-00945-16	TRANSISTOR	2SC945P	
	Q204	OW01-00945-16	TRANSISTOR	2SC945P	
	Q205	OW01-00945-16	TRANSISTOR	2SC945P	
	Q206	OW01-08050-04S	TRANSISTOR	8050D	
	Q207	OW01-00945-16	TRANSISTOR	2SC945P	
	Q208	OW01-00945-16	TRANSISTOR	2SC945P	
	Q209	OW01-00945-16	TRANSISTOR	2SC945P	
	Q210	OW01-00945-16	TRANSISTOR	2SC945P	
	Q211	OW01-00733-16	TRANSISTOR	2SA733P	
	Q212	OW01-00945-16	TRANSISTOR	2SC945P	
	Q213	OW01-00945-16	TRANSISTOR	2SC945P	
	Q214	OW01-00945-16	TRANSISTOR	2SC945P	
	Q215	OW01-00945-16	TRANSISTOR	2SC945P	
	Q301	OW01-00945-16	TRANSISTOR	2SC945P	
	Q302	OW01-00945-16	TRANSISTOR	2SC945P	
	Q303	OW01-01383-18	TRANSISTOR	2SC1383R	
	Q304	OW01-00945-16	TRANSISTOR	2SC945P	
△	Q305	OW01-01240-00	TRANSISTOR	2SB1240Q	
	Q401	OW01-08050-04S	TRANSISTOR	8050D	
	Q402	OW01-08050-04S	TRANSISTOR	8050D	
	Q403	OW01-00733-16	TRANSISTOR	2SA733P	
	Q404	OW01-08050-04S	TRANSISTOR	8050D	
	Q405	OW01-08050-04S	TRANSISTOR	8050D	
	Q406	OW01-08050-04S	TRANSISTOR	8050D	
	Q409	OW01-00945-16	TRANSISTOR	2SC945P	
	R102	OW07-15104-50T	CARBON RESISTOR	100K 1/8W 5%	
	R103	OW07-15104-50T	CARBON RESISTOR	100K 1/8W 5%	
	R121	OW07-15473-50T	CARBON RESISTOR	47K 1/8W 5%	
	R122	OW07-15473-50T	CARBON RESISTOR	47K 1/8W 5%	
	R123	OW07-15202-50T	CARBON RESISTOR	2K 1/8W 5%	

■ Electrical parts list (Main board)

Block No. 01

△	Item	Parts number	Parts name	Remarks	Area
	R124	OW07-15180-50T	CARBON RESISTOR	18 1/8W 5%	
	R125	OW07-15203-50T	CARBON RESISTOR	20K 1/8W 5%	
	R126	OW07-15332-50T	CARBON RESISTOR	3.3K 1/8W 5%	
	R127	OW07-15331-50T	CARBON RESISTOR	330 1/8W 5%	
	R128	OW07-15153-50T	CARBON RESISTOR	15K 1/8W 5%	
	R129	OW07-15153-50T	CARBON RESISTOR	15K 1/8W 5%	
	R130	OW07-15183-50T	CARBON RESISTOR	18K 1/8W 5%	
	R131	OW07-15183-50T	CARBON RESISTOR	18K 1/8W 5%	
	R135	OW07-15104-50T	CARBON RESISTOR	100K 1/8W 5%	
	R136	OW07-15223-50T	CARBON RESISTOR	22K 1/8W 5%	
	R137	OW07-15332-50T	CARBON RESISTOR	3.3K 1/8W 5%	
	R138	OW07-15472-50T	CARBON RESISTOR	4.7K 1/8W 5%	
	R139	OW07-15221-50T	CARBON RESISTOR	220 1/8W 5%	
	R142	OW07-15473-50T	CARBON RESISTOR	47K 1/8W 5%	
	R143	OW07-15563-50T	CARBON RESISTOR	56K 1/8W 5%	
	R144	OW07-15103-50T	CARBON RESISTOR	10K 1/8W 5%	
	R145	OW07-15103-50T	CARBON RESISTOR	10K 1/8W 5%	
	R146	OW07-15820-50T	CARBON RESISTOR	82 1/8W 5%	
	R147	OW07-15102-50T	CARBON RESISTOR	1K 1/8W 5%	
	R148	OW07-15101-50T	CARBON RESISTOR	100 1/8W 5%	
	R149	OW07-15471-50T	CARBON RESISTOR	470 1/8W 5%	
	R150	OW07-15333-50T	CARBON RESISTOR	33K 1/8W 5%	
	R153	OW07-15152-50T	CARBON RESISTOR	1.5K 1/8W 5%	
	R154	OW07-15472-50T	CARBON RESISTOR	4.7K 1/8W 5%	
	R155	OW07-15102-50T	CARBON RESISTOR	1K 1/8W 5%	
	R156	OW07-15472-50T	CARBON RESISTOR	4.7K 1/8W 5%	
	R157	OW07-15561-50T	CARBON RESISTOR	560 1/8W 5%	
	R158	OW07-15152-50T	CARBON RESISTOR	1.5K 1/8W 5%	
	R159	OW07-15221-50T	CARBON RESISTOR	220 1/8W 5%	
	R160	OW07-15103-50T	CARBON RESISTOR	10K 1/8W 5%	
	R161	OW07-15103-50T	CARBON RESISTOR	10K 1/8W 5%	
	R162	OW07-15103-50T	CARBON RESISTOR	10K 1/8W 5%	
	R163	OW07-15103-50T	CARBON RESISTOR	10K 1/8W 5%	
	R164	OW07-15102-50T	CARBON RESISTOR	1K 1/8W 5%	
	R165	OW07-15102-50T	CARBON RESISTOR	1K 1/8W 5%	
	R166	OW07-15102-50T	CARBON RESISTOR	1K 1/8W 5%	
	R170	OW07-15102-50T	CARBON RESISTOR	1K 1/8W 5%	
	R171	OW07-15274-50T	CARBON RESISTOR	270K 1/8W 5%	
	R178	OW07-15220-50T	CARBON RESISTOR	22 1/8W 5%	
	R201	OW07-15183-50T	CARBON RESISTOR	18K 1/8W 5%	
	R202	OW07-15102-50T	CARBON RESISTOR	1K 1/8W 5%	
	R203	OW07-15333-50T	CARBON RESISTOR	33K 1/8W 5%	
	R204	OW07-15180-50T	CARBON RESISTOR	18 1/8W 5%	
	R205	OW07-15333-50T	CARBON RESISTOR	33K 1/8W 5%	
	R206	OW07-15472-50T	CARBON RESISTOR	4.7K 1/8W 5%	
	R207	OW07-15103-50T	CARBON RESISTOR	10K 1/8W 5%	
	R208	OW07-15153-50T	CARBON RESISTOR	15K 1/8W 5%	
	R209	OW07-15684-50T	CARBON RESISTOR	680K 1/8W 5%	
	R210	OW07-15153-50T	CARBON RESISTOR	15K 1/8W 5%	
	R211	OW07-15333-50T	CARBON RESISTOR	33K 1/8W 5%	
	R212	OW07-15823-50T	CARBON RESISTOR	82K 1/8W 5%	
	R213	OW07-15103-50T	CARBON RESISTOR	10K 1/8W 5%	
	R214	OW07-15473-50T	CARBON RESISTOR	47K 1/8W 5%	
	R215	OW07-15511-50T	CARBON RESISTOR	510 1/8W 5%	
	R216	OW07-15823-50T	CARBON RESISTOR	82K 1/8W 5%	
	R217	OW07-15010-50T	CARBON RESISTOR	1 1/8W 5%	
	R218	OW07-15273-50T	CARBON RESISTOR	27K 1/8W 5%	
	R219	OW07-15273-50T	CARBON RESISTOR	27K 1/8W 5%	
	R220	OW07-15102-50T	CARBON RESISTOR	1K 1/8W 5%	
	R221	OW07-15221-50T	CARBON RESISTOR	220 1/8W 5%	
	R222	OW07-15183-50T	CARBON RESISTOR	18K 1/8W 5%	
	R223	OW07-15333-50T	CARBON RESISTOR	33K 1/8W 5%	
	R224	OW07-15331-50T	CARBON RESISTOR	330 1/8W 5%	

△	Item	Parts number	Parts name	Remarks	Area
	R225	OW07-15101-00	CARBON RESISTOR	100 1/4W	
	R226	OW07-15102-50T	CARBON RESISTOR	1K 1/8W 5%	
	R227	OW07-15180-50T	CARBON RESISTOR	18 1/8W 5%	
	R228	OW07-15103-50T	CARBON RESISTOR	10K 1/8W 5%	
	R229	OW07-15153-50T	CARBON RESISTOR	15K 1/8W 5%	
	R231	OW07-15472-50T	CARBON RESISTOR	4.7K 1/8W 5%	
	R241	OW07-15273-50T	CARBON RESISTOR	27K 1/8W 5%	
	R242	OW07-15100-50T	CARBON RESISTOR	10 1/8W 5%	
	R243	OW07-15103-50T	CARBON RESISTOR	10K 1/8W 5%	
	R244	OW07-15104-50T	CARBON RESISTOR	100K 1/8W 5%	
	R245	OW07-15103-50T	CARBON RESISTOR	10K 1/8W 5%	
	R246	OW07-15333-50T	CARBON RESISTOR	33K 1/8W 5%	
	R247	OW07-15103-50T	CARBON RESISTOR	10K 1/8W 5%	
	R248	OW07-15102-50T	CARBON RESISTOR	1K 1/8W 5%	
	R249	OW07-15472-50T	CARBON RESISTOR	4.7K 1/8W 5%	
	R250	OW07-15103-50T	CARBON RESISTOR	10K 1/8W 5%	
	R251	OW07-15104-50T	CARBON RESISTOR	100K 1/8W 5%	
	R252	OW07-15103-50T	CARBON RESISTOR	10K 1/8W 5%	
	R253	OW07-15223-50T	CARBON RESISTOR	22K 1/8W 5%	
	R254	OW07-15223-50T	CARBON RESISTOR	22K 1/8W 5%	
	R255	OW07-15103-50T	CARBON RESISTOR	10K 1/8W 5%	
	R256	OW07-15473-50T	CARBON RESISTOR	47K 1/8W 5%	
	R257	OW07-15104-50T	CARBON RESISTOR	100K 1/8W 5%	
	R258	OW07-15104-50T	CARBON RESISTOR	100K 1/8W 5%	
	R301	OW07-15680-50T	CARBON RESISTOR	68 1/8W 5%	
	R302	OW07-15471-50T	CARBON RESISTOR	470 1/8W 5%	
	R303	OW07-15394-50T	CARBON RESISTOR	390K 1/8W 5%	
	R304	OW07-15681-50T	CARBON RESISTOR	680 1/8W 5%	
	R306	OW07-15222-50T	CARBON RESISTOR	2.2K 1/8W 5%	
	R307	OW07-15471-50T	CARBON RESISTOR	470 1/8W 5%	
	R308	OW07-15394-50T	CARBON RESISTOR	390K 1/8W 5%	
	R309	OW07-15472-50T	CARBON RESISTOR	4.7K 1/8W 5%	
	R310	OW07-15681-50T	CARBON RESISTOR	680 1/8W 5%	
	R312	OW07-15472-50T	CARBON RESISTOR	4.7K 1/8W 5%	
	R313	OW07-15471-50T	CARBON RESISTOR	470 1/8W 5%	
	R314	OW07-05100-00	CARBON RESISTOR	10 1/4W	
	R315	OW07-15561-50T	CARBON RESISTOR	560 1/8W 5%	
	R320	OW07-15222-50T	CARBON RESISTOR	2.2K 1/8W 5%	
	R341	OW07-15103-50T	CARBON RESISTOR	10K 1/8W 5%	
	R345	OW07-15104-50T	CARBON RESISTOR	100K 1/8W 5%	
	R346	OW07-15473-50T	CARBON RESISTOR	47K 1/8W 5%	
	R347	OW07-15102-50T	CARBON RESISTOR	1K 1/8W 5%	
	R351	OW07-15123-50T	CARBON RESISTOR	12K 1/8W 5%	
	R352	OW07-15123-50T	CARBON RESISTOR	12K 1/8W 5%	
	R353	OW07-15222-50T	CARBON RESISTOR	2.2K 1/8W 5%	
	R354	OW07-15222-50T	CARBON RESISTOR	2.2K 1/8W 5%	
	R401	OW07-15273-50T	CARBON RESISTOR	27K 1/8W 5%	
	R402	OW07-15273-50T	CARBON RESISTOR	27K 1/8W 5%	
	R403	OW07-15103-50T	CARBON RESISTOR	10K 1/8W 5%	
	R404	OW07-15103-50T	CARBON RESISTOR	10K 1/8W 5%	
	R405	OW07-15222-50T	CARBON RESISTOR	2.2K 1/8W 5%	
	R406	OW07-15223-50T	CARBON RESISTOR	22K 1/8W 5%	
	R407	OW07-15103-50T	CARBON RESISTOR	10K 1/8W 5%	
	R408	OW07-15103-50T	CARBON RESISTOR	10K 1/8W 5%	
	R409	OW07-05022-00	CARBON RESISTOR	2.2 1/4W	
	R410	OW07-05022-00	CARBON RESISTOR	2.2 1/4W	
	R411	OW07-15102-00	CARBON RESISTOR	1K 1/4W 5%	
	R412	OW07-15102-00	CARBON RESISTOR	1K 1/4W 5%	
	R413	OW07-15103-50T	CARBON RESISTOR	10K 1/8W 5%	
	R414	OW07-15103-50T	CARBON RESISTOR	10K 1/8W 5%	
	R415	OW07-15103-50T	CARBON RESISTOR	10K 1/8W 5%	
	R416	OW07-15103-50T	CARBON RESISTOR	10K 1/8W 5%	
	R417	OW07-15103-50T	CARBON RESISTOR	10K 1/8W 5%	

■ Electrical parts list (Main board)

Block No. 01

△	Item	Parts number	Parts name	Remarks	Area
	R418	OW07-15334-50T	CARBON RESISTOR	330K 1/8W 5%	
	R419	OW07-15334-50T	CARBON RESISTOR	330K 1/8W 5%	
	R420	OW07-15473-50T	CARBON RESISTOR	47K 1/8W 5%	
	R421	OW07-15473-50T	CARBON RESISTOR	47K 1/8W 5%	
	R422	OW07-15103-50T	CARBON RESISTOR	10K 1/8W 5%	
	R423	OW07-15103-50T	CARBON RESISTOR	10K 1/8W 5%	
	R424	OW07-15223-50T	CARBON RESISTOR	22K 1/8W 5%	
	R425	OW07-15223-50T	CARBON RESISTOR	22K 1/8W 5%	
	R426	OW07-15272-50T	CARBON RESISTOR	2.7K 1/8W 5%	
	R427	OW07-15272-50T	CARBON RESISTOR	2.7K 1/8W 5%	
	R428	OW07-15221-50T	CARBON RESISTOR	220 1/8W 5%	
	R429	OW07-15221-50T	CARBON RESISTOR	220 1/8W 5%	
	R430	OW07-15104-50T	CARBON RESISTOR	100K 1/8W 5%	
	R431	OW07-15103-50T	CARBON RESISTOR	10K 1/8W 5%	
	R432	OW07-15103-50T	CARBON RESISTOR	10K 1/8W 5%	
	R435	OW07-15122-50T	CARBON RESISTOR	1.2K 1/8W 5%	
	R436	OW07-15100-50T	CARBON RESISTOR	10 1/8W 5%	
	R448	OW07-15103-50T	CARBON RESISTOR	10K 1/8W 5%	
	R449	OW07-15223-50T	CARBON RESISTOR	22K 1/8W 5%	
	R450	OW07-15472-50T	CARBON RESISTOR	4.7K 1/8W 5%	
	R451	OW07-15472-50T	CARBON RESISTOR	4.7K 1/8W 5%	
	TC101	OW05-08100-02	TRIMMER	10PF	
	TC102	OW05-08100-02	TRIMMER	10PF	
	T101	OW08-00332-24C	IFT	810017 YELLOW	
	X101	OW04-07200-05	CRYSTAL	7.2MHZ HC-49U 30PPM	
	Z101	OW02-50100-00	ZENER DIODE	10V 0.5W	
	Z301	OW02-50091-00	ZENER DIODE	9.1V 0.5W	
	Z401	OW02-50270-00	ZENER DIODE	27V 0.5W	

■ Electrical parts list (Power board)

Block No. 02

△	Item	Parts number	Parts name	Remarks	Area
	CN901	OW20-12040-00	CONNECTOR	P=2.5MM 4PIN	
	CN902	OW20-12020-00	CONNECTOR	P=2.5MM 2PIN	
	CN903	OW20-42021-45	CONNECTOR	P=2.5MM 2PIN	
△	C905	OW05-00203-82	C.CAPACITOR	0.02MF +80/-20%	
△	C906	OW05-00203-82	C.CAPACITOR	0.02MF +80/-20%	
△	C907	OW05-00203-82	C.CAPACITOR	0.02MF +80/-20%	
△	C908	OW05-00203-82	C.CAPACITOR	0.02MF +80/-20%	
△	C909	OW05-00104-01T	C.CAPACITOR	0.1/100V 10%	
△	C910	OW05-00104-01T	C.CAPACITOR	0.1/100V 10%	
△	C911	OW05-00104-01T	C.CAPACITOR	0.1/100V 10%	
△	C912	OW05-00104-01T	C.CAPACITOR	0.1/100V 10%	
△	C913	OW05-00203-82	C.CAPACITOR	0.02MF +80/-20%	
△	C914	OW05-00203-82	C.CAPACITOR	0.02MF +80/-20%	
△	C915	OW05-00203-82	C.CAPACITOR	0.02MF +80/-20%	
△	C916	OW05-00203-82	C.CAPACITOR	0.02MF +80/-20%	
△	C918	OW06-16477-00	E.CAPACITOR	470MF 16V	
△	C919	OW06-50477-00	E.CAPACITOR	470MF 20% 50V	
△	C920	OW06-25477-00	E.CAPACITOR	470MF 25V	
△	D905	OW02-04001-00	DIODE	1N4001	
△	D906	OW02-04001-00	DIODE	1N4001	
△	D907	OW02-04001-00	DIODE	1N4001	
△	D908	OW02-04001-00	DIODE	1N4001	
△	D909	OW02-00202-00	DIODE RECTIFIER	RL202	
△	D910	OW02-00202-00	DIODE RECTIFIER	RL202	
△	D911	OW02-00202-00	DIODE RECTIFIER	RL202	
△	D912	OW02-00202-00	DIODE RECTIFIER	RL202	
△	D913	OW02-04001-00	DIODE	1N4001	
△	D914	OW02-04001-00	DIODE	1N4001	
△	D915	OW02-04001-00	DIODE	1N4001	
△	D916	OW02-04001-00	DIODE	1N4001	
△	F901	OW33-50162-02	FUSE	GMC 1.6A 250V	
△	F902	OW33-50312-02B	FUSE	GMC 3.15A 250V	
△	F903	OW33-50162-02	FUSE	GMC 1.6A 250V	
	HF901	OW39-10001-00A	FUSE HOLDER	C2680	
	HF902	OW39-10001-00A	FUSE HOLDER	C2680	
	HF903	OW39-10001-00A	FUSE HOLDER	C2680	

■ Electrical parts list (Key switch board)

Block No. 03

△	Item	Parts number	Parts name	Remarks	Area
	CNLED	OW25-23070-02K	CONNECTOR	70MM 2PIN	
	CN801	OW20-41032-17	CONNECTOR	P=2MM 3PIN	
	CN802	OW20-41062-26	CONNECTOR	P=2MM 6PIN	
	C801	OW06-10476-00S	E.CAPACITOR	47MF 10V NICON	
	C802	OW05-00203-82	C.CAPACITOR	0.02MF +80/-20%	
	C803	OW05-00203-82	C.CAPACITOR	0.02MF +80/-20%	
	D801	OW02-30004-15	LED	3G4SC-6	
	D802	OW02-30004-15	LED	3G4SC-6	
	D803	OW02-30004-15	LED	3G4SC-6	
	D804	OW02-50000-10D	LED	L-59EGW	
	D805	OW02-50000-10D	LED	L-59EGW	
	D806	OW02-50000-10D	LED	L-59EGW	
	D807	OW02-04148-00R	DIODE	IN4148	
	D808	OW02-04148-00R	DIODE	IN4148	
	D809	OW02-04148-00R	DIODE	IN4148	
	D810	OW02-04148-00R	DIODE	IN4148	
	D811	OW02-30004-15	LED	3G4SC-6	
	D812	OW02-30004-15	LED	3G4SC-6	
	JK401	OW12-00035-42	PHONE JACK	D3.5 MSJ-035-10AB	
	Q801	OW01-00945-16	TRANSISTOR	2SC945P	
	Q802	OW01-00733-16	TRANSISTOR	2SA733P	
	Q803	OW01-00945-16	TRANSISTOR	2SC945P	
	Q804	OW01-00733-16	TRANSISTOR	2SA733P	
	Q805	OW01-00945-16	TRANSISTOR	2SC945P	
	Q806	OW01-00733-16	TRANSISTOR	2SA733P	
	R801	OW07-15103-50T	CARBON RESISTOR	10K 1/8W 5%	
	R802	OW07-15103-50T	CARBON RESISTOR	10K 1/8W 5%	
	R803	OW07-15101-50T	CARBON RESISTOR	100 1/8W 5%	
	R804	OW07-15121-50T	CARBON RESISTOR	120 1/8W 5%	
	R805	OW07-15103-50T	CARBON RESISTOR	10K 1/8W 5%	
	R806	OW07-15103-50T	CARBON RESISTOR	10K 1/8W 5%	
	R807	OW07-15101-50T	CARBON RESISTOR	100 1/8W 5%	
	R808	OW07-15121-50T	CARBON RESISTOR	120 1/8W 5%	
	R809	OW07-15103-50T	CARBON RESISTOR	10K 1/8W 5%	
	R810	OW07-15103-50T	CARBON RESISTOR	10K 1/8W 5%	
	R811	OW07-15121-50T	CARBON RESISTOR	120 1/8W 5%	
	R812	OW07-15101-50T	CARBON RESISTOR	100 1/8W 5%	
	R813	OW07-15750-50T	CARBON RESISTOR	75 1/8W 5%	
	R814	OW07-15471-50T	CARBON RESISTOR	470 1/8W 5%	
	R815	OW07-15152-50T	CARBON RESISTOR	1.5K 1/8W 5%	
	R816	OW07-15102-50T	CARBON RESISTOR	1K 1/8W 5%	
	R817	OW07-15272-50T	CARBON RESISTOR	2.7K 1/8W 5%	
	R818	OW07-15562-50T	CARBON RESISTOR	5.6K 1/8W 5%	
	R819	OW07-15682-50T	CARBON RESISTOR	6.8K 1/8W 5%	
	R820	OW07-15333-50T	CARBON RESISTOR	33K 1/8W 5%	
	R821	OW07-15273-50T	CARBON RESISTOR	27K 1/8W 5%	
	R822	OW07-15823-50T	CARBON RESISTOR	82K 1/8W 5%	
	R823	OW07-15750-50T	CARBON RESISTOR	75 1/8W 5%	
	R824	OW07-15471-50T	CARBON RESISTOR	470 1/8W 5%	
	R825	OW07-15681-50T	CARBON RESISTOR	680 1/8W 5%	
	R826	OW07-15182-50T	CARBON RESISTOR	1.8K 1/8W 5%	
	R827	OW07-15912-50T	CARBON RESISTOR	9.1K 1/8W 5%	
	R828	OW07-15392-50T	CARBON RESISTOR	3.9K 1/8W 5%	
	R829	OW07-15822-50T	CARBON RESISTOR	8.2K 1/8W 5%	
	R830	OW07-15153-50T	CARBON RESISTOR	15K 1/8W 5%	
	R831	OW07-15273-50T	CARBON RESISTOR	27K 1/8W 5%	
	R832	OW07-15823-50T	CARBON RESISTOR	82K 1/8W 5%	
	R833	OW07-15100-50T	CARBON RESISTOR	10 1/8W 5%	
	R834	OW07-15103-50T	CARBON RESISTOR	10K 1/8W 5%	
	R835	OW07-15103-50T	CARBON RESISTOR	10K 1/8W 5%	
	R836	OW07-15103-50T	CARBON RESISTOR	10K 1/8W 5%	
	R837	OW07-15560-50T	CARBON RESISTOR	56 1/8W 5%	
	R841	OW07-15680-50T	CARBON RESISTOR	68 1/8W 5%	

△	Item	Parts number	Parts name	Remarks	Area
	SEN81	OW02-66938-00	SENSORE	RPMF6938 V4	
	SW801	OW16-10101-08S	TACT SWITCH	EVQJAE05R	
	SW802	OW16-10101-08S	TACT SWITCH	EVQJAE05R	
	SW803	OW16-10101-08S	TACT SWITCH	EVQJAE05R	
	SW804	OW16-10101-08S	TACT SWITCH	EVQJAE05R	
	SW805	OW16-10101-08S	TACT SWITCH	EVQJAE05R	
	SW806	OW16-10101-08S	TACT SWITCH	EVQJAE05R	
	SW807	OW16-10101-08S	TACT SWITCH	EVQJAE05R	
	SW808	OW16-10101-08S	TACT SWITCH	EVQJAE05R	
	SW809	OW16-10101-08S	TACT SWITCH	EVQJAE05R	
	SW810	OW16-10101-08S	TACT SWITCH	EVQJAE05R	
	SW811	OW16-10101-08S	TACT SWITCH	EVQJAE05R	
	SW812	OW16-10101-08S	TACT SWITCH	EVQJAE05R	
	SW813	OW16-10101-08S	TACT SWITCH	EVQJAE05R	
	SW814	OW16-10101-08S	TACT SWITCH	EVQJAE05R	
	SW815	OW16-10101-08S	TACT SWITCH	EVQJAE05R	
	SW816	OW16-10101-08S	TACT SWITCH	EVQJAE05R	
	SW817	OW16-10101-08S	TACT SWITCH	EVQJAE05R	
	SW818	OW16-10101-08S	TACT SWITCH	EVQJAE05R	
	SW819	OW16-10101-08S	TACT SWITCH	EVQJAE05R	
	SW820	OW16-10101-08S	TACT SWITCH	EVQJAE05R	

■ Electrical parts list (CD&MCU board)

Block No. 04

△	Item	Parts number	Parts name	Remarks	Area	△	Item	Parts number	Parts name	Remarks	Area
	CN601	OW20-21100-00	CONNECTOR	P=2MM 10PIN			C734	OW06-10476-02	E.CAPACITOR	47MF 10V	
	CN602	OW20-21080-00	CONNECTOR	P=2MM 8PIN			C735	OW05-07473-82B	C.CAPACITOR	0.047MF	
	CN603	OW20-21030-00	CONNECTOR	P=2MM 3PIN			C736	OW05-07153-00	C.CAPACITOR	0.015MF	
	CN604	OW20-41082-33	CONNECTOR	P=2MM 8PIN			C737	OW05-07103-20A	C.CAPACITOR	0.01MF 20%	
	CN607	OW20-11060-00	CONNECTOR	P=2MM 6PIN			C738	OW05-07470-00A	C.CAPACITOR	47PF 5%	
	CN608	OW20-21030-00	CONNECTOR	P=2MM 3PIN			C739	OW05-07272-00	C.CAPACITOR	0.0027MF 10% 50V	
	CN609	OW20-42022-13	CONNECTOR	P=2.5MM 2PIN			C740	OW06-10476-00S	E.CAPACITOR	47MF 10V	
	CN701	OW20-22020-01	CONNECTOR	P=2.5MM 2PIN			C741	OW05-07333-00A	C.CAPACITOR	0.033MF 50V	
	CN702	OW20-21020-00	CONNECTOR	P=2MM 2PIN			C742	OW05-07471-10A	C.CAPACITOR	470PF 10%	
	CN703	OW20-21060-00	CONNECTOR	P=2MM 6PIN			C743	OW05-07471-10A	C.CAPACITOR	470PF 10%	
	CN704	OW20-80160-001	CONNECTOR	P=1MM 16PIN			C744	OW05-07473-82B	C.CAPACITOR	0.047MF	
	C601	OW06-10477-00	E.CAPACITOR	470MF 10V			C745	OW05-00560-06	C.CAPACITOR	56PF 5%	
	C602	OW06-10108-00	E.CAPACITOR	1000MF 10V			C746	OW05-02682-10	MYLAR CAPACITOR	0.0068MF 10%	
	C602A	OW05-07104-82B	C.CAPACITOR	0.1MF 50V			C747	OW05-07104-82B	C.CAPACITOR	0.1MF 50V	
	C603	OW06-10227-00S	E.CAPACITOR	220MF 10V			C748	OW05-07104-82B	C.CAPACITOR	0.1MF 50V	
	C605	OW05-00104-00	C.CAPACITOR	0.1MF 10% 50V			C749	OW05-07473-82B	C.CAPACITOR	0.047MF	
	C606	OW05-00250-06	C.CAPACITOR	25PF			C750	OW06-10107-02	E.CAPACITOR	100MF 10V	
	C607	OW05-00250-06	C.CAPACITOR	25PF			C751	OW06-10476-02	E.CAPACITOR	47MF 10V	
	C608	OW05-00250-06	C.CAPACITOR	25PF			C752	OW06-10476-00S	E.CAPACITOR	47MF 10V	
	C609	OW05-00250-06	C.CAPACITOR	25PF			C753	OW05-07473-82B	C.CAPACITOR	0.047MF	
	C610	OW06-10107-00S	E.CAPACITOR	100MF 10V			C755	OW05-02103-10	MYLAR CAPACITOR	0.01MF 10%	
	C611	OW06-10107-00S	E.CAPACITOR	100MF 10V			C756	OW05-00020-00	C.CAPACITOR	2PF	
	C612	OW06-10476-00S	E.CAPACITOR	47MF 10V			C757	OW05-07104-82B	C.CAPACITOR	0.1MF 50V	
	C613	OW06-10107-00S	E.CAPACITOR	100MF 10V			C760	OW06-10227-02	C.CAPACITOR	220MF 10V	
	C614	OW05-07104-82B	C.CAPACITOR	0.1MF 50V			C761	OW05-07104-82B	C.CAPACITOR	0.1MF 50V	
	C622	OW06-10106-02	E.CAPACITOR	10MF 10V			C762	OW06-10106-02	E.CAPACITOR	10MF 10V	
	C630	OW05-07102-10A	C.CAPACITOR	1000PF 10%			C763	OW06-50225-02	E.CAPACITOR	2.2MF 50V	
	C641	OW06-10107-02	E.CAPACITOR	100MF 10V			C790	OW06-16228-00	E.CAPACITOR	2200MF 16V	
	C642	OW06-10476-02	E.CAPACITOR	47MF 10V			C791	OW05-00104-00	C.CAPACITOR	0.1MF 50V 10%	
	C643	OW06-16226-02	E.CAPACITOR	22MF 16V			D601	OW02-04148-00R	DIODE	IN4148	
	C646	OW05-07104-82B	C.CAPACITOR	0.1MF 50V			D602	OW02-04148-00R	DIODE	IN4148	
	C701	OW05-07103-20A	C.CAPACITOR	0.01MF 20%			D603	OW02-04148-00R	DIODE	IN4148	
	C702	OW05-07104-82B	C.CAPACITOR	0.1MF 50V			D604	OW02-04148-00R	DIODE	IN4148	
	C703	OW05-07223-82A	C.CAPACITOR	0.022MF			D605	OW02-50091-00	ZENER DIODE	9.1V 0.5W	
	C704	OW06-10227-00S	E.CAPACITOR	220MF 10V			D606	OW02-50062-00	ZENER DIODE	6.2V 0.5W	
	C705	OW06-10477-00	E.CAPACITOR	470MF 10V			D607	OW02-04148-00R	DIODE	IN4148	
	C706	OW06-10106-00	E.CAPACITOR	10MF 10V			D608	OW02-04148-00R	DIODE	IN4148	
	C707	OW06-10106-02	E.CAPACITOR	10MF 10V			D609	OW02-50062-00	ZENER DIODE	6.2V 0.5W	
	C708	OW05-07222-82A	C.CAPACITOR	2200PF			D610	OW02-04001-00	DIODE	1N4001	
	C709	OW06-10476-02	E.CAPACITOR	47MF 10V			D611	OW02-04148-00R	DIODE	IN4148	
	C710	OW06-10226-00	E.CAPACITOR	22MF 10V			D701	OW02-04148-00R	DIODE	IN4148	
	C711	OW05-07222-82A	C.CAPACITOR	2200PF			D702	OW02-50056-00	ZENER DIODE	5.6V 0.5W	
	C712	OW05-07473-82B	C.CAPACITOR	0.047MF			D703	OW02-50062-00	ZENER DIODE	6.2V 0.5W	
	C713	OW06-10476-00S	E.CAPACITOR	47MF 10V			D704	OW02-04148-00R	DIODE	IN4148	
	C714	OW06-10105-02	E.CAPACITOR	1MF 10V			D705	OW02-04148-00R	DIODE	IN4148	
	C716	OW05-07473-82B	C.CAPACITOR	0.047MF			IC601	OW03-87261-15	IC CPU TMP	87EP26F-1J15	
	C717	OW05-00150-06	C.CAPACITOR	15PF 5%			IC701	OW03-09462-00	IC	TC9462F	
	C718	OW05-00150-06	C.CAPACITOR	15PF 5%			IC702	OW03-07291-00	IC	TA7291S	
	C719	OW06-10476-00S	E.CAPACITOR	47MF 10V			IC703	OW03-02092-00	IC	TA2092N	
	C720	OW05-07473-82B	C.CAPACITOR	0.047MF			IC704	OW03-02109-00	IC	TA2109F	
	C721	OW05-07473-82B	C.CAPACITOR	0.047MF			LCD61	OW91-80003-00	LCD	91411TT-P	
	C722	OW06-10476-00S	E.CAPACITOR	47MF 10V			L601	OW09-70102-00C	INDUCTOR	100MH	
	C723	OW06-10476-00S	E.CAPACITOR	47MF 10V			L602	OW09-70102-00C	INDUCTOR	100MH	
	C724	OW06-10227-00S	E.CAPACITOR	220MF 10V			L603	OW09-70102-00C	INDUCTOR	100MH	
	C725	OW05-07104-82B	C.CAPACITOR	0.1MF 50V			L604	OW08-01122-00	FERRITE BEAD	RH03509ST-B246	
	C726	OW05-07104-82B	C.CAPACITOR	0.1MF 50V			L607	OW08-01122-00	FERRITE BEAD	RH03509ST-B246	
	C727	OW05-07104-82B	C.CAPACITOR	0.1MF 50V			L608	OW08-01122-00	FERRITE BEAD	RH03509ST-B246	
	C728	OW05-07104-82B	C.CAPACITOR	0.1MF 50V			L701	OW08-01122-00	FERRITE BEAD	RH03509ST-B246	
	C729	OW05-07104-82B	C.CAPACITOR	0.1MF 50V			L702	OW08-01122-00	FERRITE BEAD	RH03509ST-B246	
	C730	OW05-07104-82B	C.CAPACITOR	0.1MF 50V			L703	OW09-70101-00	INDUCTOR	10MH	
	C731	OW05-07473-82B	C.CAPACITOR	0.047MF			L704	OW09-70101-00	INDUCTOR	10MH	
	C732	OW05-07473-82B	C.CAPACITOR	0.047MF			Q601	OW01-00945-16	TRANSISTOR	2SC945P	
	C733	OW06-10476-00S	E.CAPACITOR	47MF 10V			Q602	OW01-01240-00	TRANSISTOR	2SB1240Q	

■ Electrical parts list (CD&MCU board)

Block No. 04

△	Item	Parts number	Parts name	Remarks	Area	△	Item	Parts number	Parts name	Remarks	Area
	Q603	OW01-00945-16	TRANSISTOR	2SC945P			R704	OW07-15473-50T	CARBON RESISTOR	47K 1/8W 5%	
	Q604	OW01-01240-00	TRANSISTOR	2SB1240Q			R705	OW07-15103-50T	CARBON RESISTOR	10K 1/8W 5%	
	Q605	OW01-00945-16	TRANSISTOR	2SC945P			R706	OW07-15271-50T	CARBON RESISTOR	270 1/8W 5%	
	Q606	OW01-08050-04S	TRANSISTOR	8050D			R707	OW07-15271-50T	CARBON RESISTOR	270 1/8W 5%	
	Q607	OW01-01383-18	TRANSISTOR	2SC1383R			R708	OW07-15103-50T	CARBON RESISTOR	10K 1/8W 5%	
	Q610	OW01-08050-04S	TRANSISTOR	8050D			R709	OW07-15103-50T	CARBON RESISTOR	10K 1/8W 5%	
	Q701	OW01-00945-16	TRANSISTOR	2SC945P			R710	OW07-15103-50T	CARBON RESISTOR	10K 1/8W 5%	
	Q702	OW01-00945-16	TRANSISTOR	2SC945P			R711	OW07-15103-50T	CARBON RESISTOR	10K 1/8W 5%	
	Q703	OW01-00733-16	TRANSISTOR	2SA733P			R712	OW07-15103-50T	CARBON RESISTOR	10K 1/8W 5%	
	Q704	OW01-01383-18	TRANSISTOR	2SC1383R			R713	OW07-15103-50T	CARBON RESISTOR	10K 1/8W 5%	
	Q705	OW01-00733-16	TRANSISTOR	2SA733P			R714	OW07-15103-50T	CARBON RESISTOR	10K 1/8W 5%	
	Q707	OW01-00733-16	TRANSISTOR	2SA733P			R715	OW07-15103-50T	CARBON RESISTOR	10K 1/8W 5%	
	Q708	OW01-00945-16	TRANSISTOR	2SC945P			R716	OW07-15561-50T	CARBON RESISTOR	560 1/8W 5%	
	Q709	OW01-00945-16	TRANSISTOR	2SC945P			R717	OW07-15100-50T	CARBON RESISTOR	10 1/8W 5%	
	Q791	OW01-01240-00	TRANSISTOR	2SB1240Q			R721	OW07-15332-50T	CARBON RESISTOR	3.3K 1/8W 5%	
	Q792	OW01-00945-16	TRANSISTOR	2SC945P			R722	OW07-15332-50T	CARBON RESISTOR	3.3K 1/8W 5%	
	R602	OW07-15102-50T	CARBON RESISTOR	1K 1/8W 5%			R723	OW07-15332-50T	CARBON RESISTOR	3.3K 1/8W 5%	
	R603	OW07-15102-50T	CARBON RESISTOR	1K 1/8W 5%			R724	OW07-15332-50T	CARBON RESISTOR	3.3K 1/8W 5%	
	R604	OW07-15102-50T	CARBON RESISTOR	1K 1/8W 5%			R725	OW07-15332-50T	CARBON RESISTOR	3.3K 1/8W 5%	
	R605	OW07-15102-50T	CARBON RESISTOR	1K 1/8W 5%			R726	OW07-15103-50T	CARBON RESISTOR	10K 1/8W 5%	
	R606	OW07-15102-50T	CARBON RESISTOR	1K 1/8W 5%			R727	OW07-15332-50T	CARBON RESISTOR	3.3K 1/8W 5%	
	R607	OW07-15102-50T	CARBON RESISTOR	1K 1/8W 5%			R728	OW07-15103-50T	CARBON RESISTOR	10K 1/8W 5%	
	R608	OW07-15102-50T	CARBON RESISTOR	1K 1/8W 5%			R729	OW07-15104-50T	CARBON RESISTOR	100K 1/8W 5%	
	R609	OW07-15102-50T	CARBON RESISTOR	1K 1/8W 5%			R730	OW07-15683-50T	CARBON RESISTOR	68K 1/8W 5%	
	R610	OW07-15102-50T	CARBON RESISTOR	1K 1/8W 5%			R731	OW07-15103-50T	CARBON RESISTOR	10K 1/8W 5%	
	R612	OW07-15103-50T	CARBON RESISTOR	10K 1/8W 5%			R732	OW07-15153-50T	CARBON RESISTOR	15K 1/8W 5%	
	R614	OW07-15102-50T	CARBON RESISTOR	1K 1/8W 5%			R733	OW07-15473-50T	CARBON RESISTOR	47K 1/8W 5%	
	R615	OW07-15223-50T	CARBON RESISTOR	22K 1/8W 5%			R734	OW07-15102-50T	CARBON RESISTOR	1K 1/8W 5%	
	R616	OW07-15103-50T	CARBON RESISTOR	10K 1/8W 5%			R735	OW07-15222-50T	CARBON RESISTOR	2.2K 1/8W 5%	
	R617	OW07-15153-50T	CARBON RESISTOR	15K 1/8W 5%			R736	OW07-15333-50T	CARBON RESISTOR	33K 1/8W 5%	
	R618	OW07-15103-50T	CARBON RESISTOR	10K 1/8W 5%			R737	OW07-15473-50T	CARBON RESISTOR	47K 1/8W 5%	
	R620	OW07-15103-50T	CARBON RESISTOR	10K 1/8W 5%			R738	OW07-15102-50T	CARBON RESISTOR	1K 1/8W 5%	
	R622	OW07-05022-10	CARBON RESISTOR	2.2 1/2W			R739	OW07-15100-50T	CARBON RESISTOR	10 1/8W 5%	
	R623	OW07-15223-50T	CARBON RESISTOR	22K 1/8W 5%			R740	OW07-15393-50T	CARBON RESISTOR	39K 1/8W 5%	
	R624	OW07-15102-50T	CARBON RESISTOR	1K 1/8W 5%			R741	OW07-15683-50T	CARBON RESISTOR	68K 1/8W 5%	
	R625	OW07-15103-50T	CARBON RESISTOR	10K 1/8W 5%			R742	OW07-15101-50T	CARBON RESISTOR	100 1/8W 5%	
	R626	OW07-15103-50T	CARBON RESISTOR	10K 1/8W 5%			R743	OW07-15154-50T	CARBON RESISTOR	150K 1/8W 5%	
	R627	OW07-15122-50T	CARBON RESISTOR	1.2K 1/8W 5%			R744	OW07-15473-50T	CARBON RESISTOR	47K 1/8W 5%	
	R628	OW07-15270-50T	CARBON RESISTOR	27 1/8W 5%			R745	OW07-15473-50T	CARBON RESISTOR	47K 1/8W 5%	
	R630	OW07-15101-50T	CARBON RESISTOR	100 1/8W 5%			R746	OW07-15473-50T	CARBON RESISTOR	47K 1/8W 5%	
	R631	OW07-15222-50T	CARBON RESISTOR	2.2K 1/8W 5%			R747	OW07-15473-50T	CARBON RESISTOR	47K 1/8W 5%	
	R632	OW07-15102-50T	CARBON RESISTOR	1K 1/8W 5%			R748	OW07-15154-50T	CARBON RESISTOR	150K 1/8W 5%	
	R633	OW07-15102-50T	CARBON RESISTOR	1K 1/8W 5%			R750	OW07-15102-50T	CARBON RESISTOR	1K 1/8W 5%	
	R634	OW07-15103-50T	CARBON RESISTOR	10K 1/8W 5%			R751	OW07-05561-00	CARBON RESISTOR	560 1/4W	
	R635	OW07-15103-50T	CARBON RESISTOR	10K 1/8W 5%			R752	OW07-15102-50T	CARBON RESISTOR	1K 1/8W 5%	
	R636	OW07-15103-50T	CARBON RESISTOR	10K 1/8W 5%			R753	OW07-15101-50T	CARBON RESISTOR	100 1/8W 5%	
	R637	OW07-15472-50T	CARBON RESISTOR	4.7K 1/8W 5%			R754	OW07-05082-10	CARBON RESISTOR	8.2 1/2W	
	R641	OW07-15102-50T	CARBON RESISTOR	1K 1/8W 5%			R755	OW07-15101-50T	CARBON RESISTOR	100 1/8W 5%	
	R642	OW07-15103-50T	CARBON RESISTOR	10K 1/8W 5%			R757	OW07-15562-50T	CARBON RESISTOR	5.6K 1/8W 5%	
	R643	OW07-15682-50T	CARBON RESISTOR	6.8K 1/8W 5%			R758	OW07-15104-50T	CARBON RESISTOR	100K 1/8W 5%	
	R644	OW07-15682-50T	CARBON RESISTOR	6.8K 1/8W 5%			R759	OW07-15512-50T	CARBON RESISTOR	5.1K 1/8W 5%	
	R645	OW07-15222-50T	CARBON RESISTOR	2.2K 1/8W 5%			R760	OW07-15222-50T	CARBON RESISTOR	2.2K 1/8W 5%	
	R646	OW07-15103-50T	CARBON RESISTOR	10K 1/8W 5%			R761	OW07-15562-50T	CARBON RESISTOR	5.6K 1/8W 5%	
	R647	OW07-15103-50T	CARBON RESISTOR	10K 1/8W 5%			R762	OW07-15103-50T	CARBON RESISTOR	10K 1/8W 5%	
	R648	OW07-15103-50T	CARBON RESISTOR	10K 1/8W 5%			R763	OW07-15102-50T	CARBON RESISTOR	1K 1/8W 5%	
	R649	OW07-15103-50T	CARBON RESISTOR	10K 1/8W 5%			R764	OW07-15103-50T	CARBON RESISTOR	10K 1/8W 5%	
	R650	OW07-15103-50T	CARBON RESISTOR	10K 1/8W 5%			R791	OW07-15223-50T	CARBON RESISTOR	22K 1/8W 5%	
	R651	OW07-15103-50T	CARBON RESISTOR	10K 1/8W 5%			R792	OW07-15473-50T	CARBON RESISTOR	47K 1/8W 5%	
	R652	OW07-15103-50T	CARBON RESISTOR	10K 1/8W 5%			R793	OW07-15103-50T	CARBON RESISTOR	10K 1/8W 5%	
	R653	OW07-15103-50T	CARBON RESISTOR	10K 1/8W 5%			R794	OW07-15102-50T	CARBON RESISTOR	1K 1/8W 5%	
	R701	OW07-15104-50T	CARBON RESISTOR	100K 1/8W 5%			X601	OW04-07200-00H	CEYSTAL	7.2MFHZ HC-49S	
	R702	OW07-15104-50T	CARBON RESISTOR	100K 1/8W 5%			X602	OW04-32768-03S	CRYSTAL	U3X8 32.768KHZ	
	R703	OW07-15473-50T	CARBON RESISTOR	47K 1/8W 5%			X701	OW04-16934-41M	CRYSTAL	16.9344MFHZ	

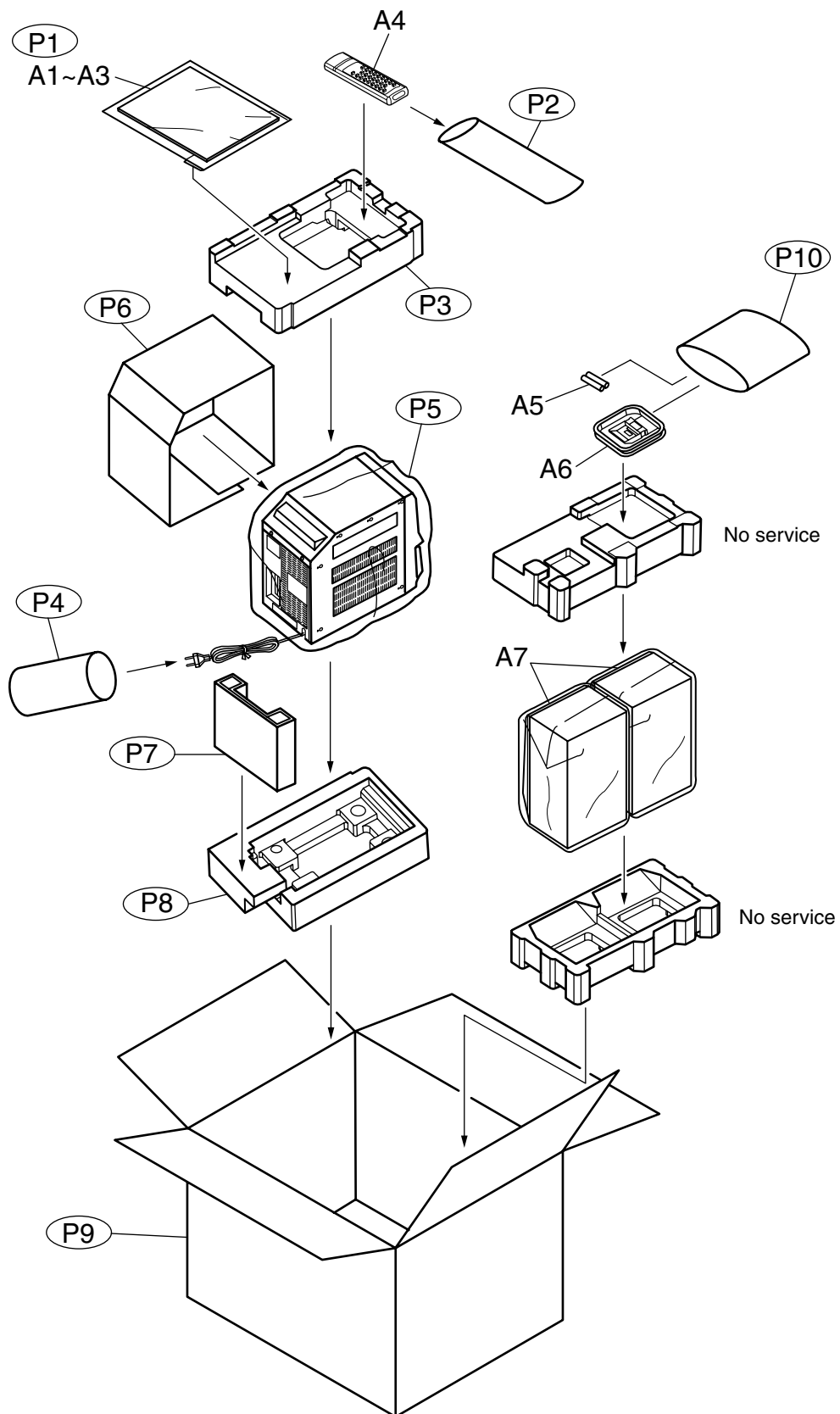
Packing materials and accessories parts list

Block No.

M	3	M	M
---	---	---	---

Block No.

M	5	M	M
---	---	---	---



Parts list (Packing)

Block No. M3MM

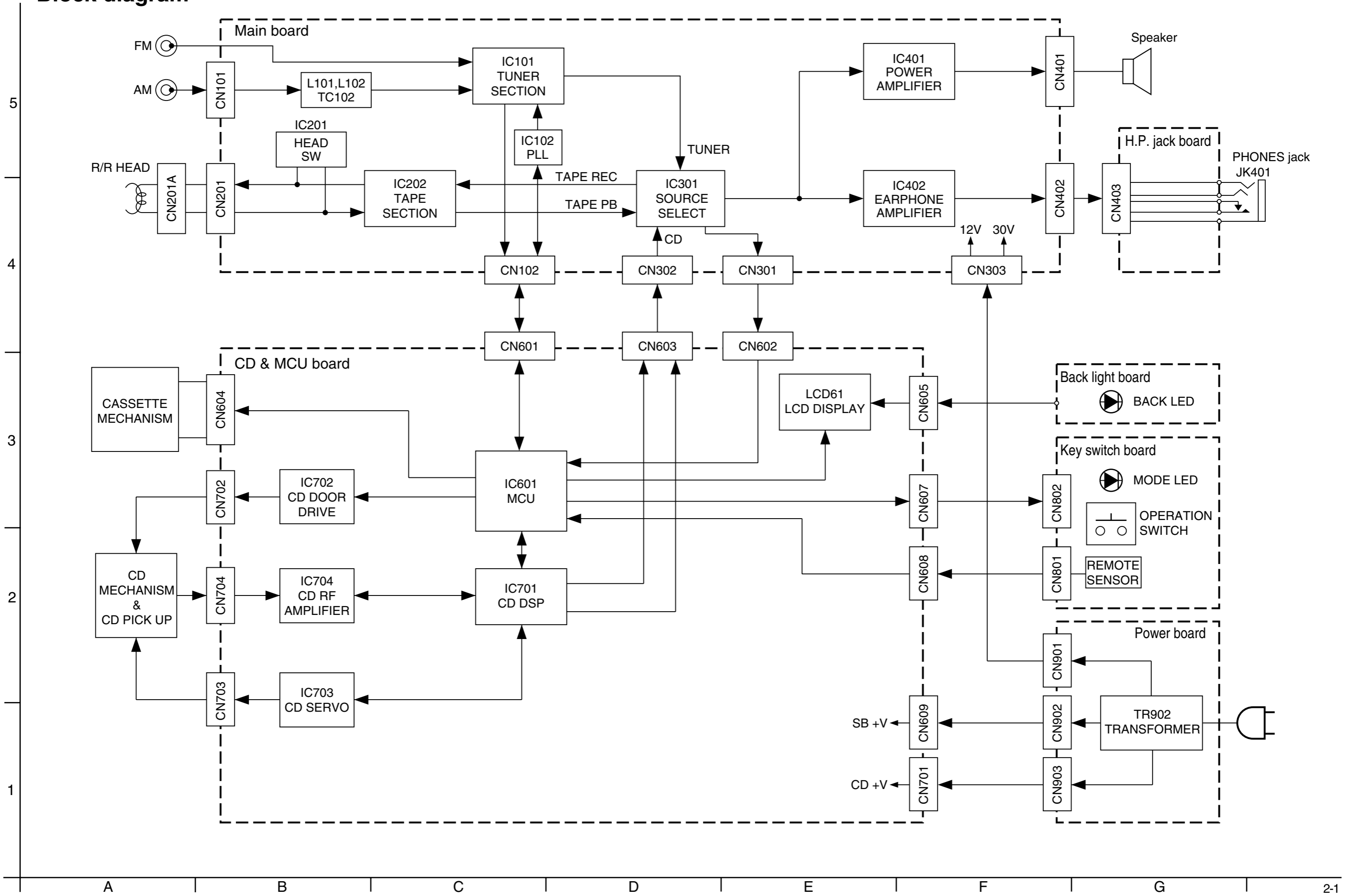
△	Item	Parts number	Parts name	Q'ty	Description	Area
	P 1	OW85-91014-02	POLY BAG	1	INSTRUCTIONS	
	P 2	OW85-00025-01A	POLY BAG	1	RREMOTE UNIT	
	P 3	OW86-30000-00	CUSHION	1	TOP	
	P 4	OW85-00025-01A	POLY BAG	1	AC CORD	
	P 5	OW85-92123-02	POLY BAG	1	SET	
	P 6	OW81-30000-01	PROTECT SHEET	1		
	P 7	OW89-30000-00	SUPPORT PAPER	1		
	P 8	OW86-30000-01	CUSHION	1	BOTTOM	
	P 9	OW83-30000-10	GIFT BOX	1		J
		OW83-30000-11	GIFT BOX	1		C
	P10	OW85-90710-04	POLY BAG	1	AM LOOP ANT.	

Parts list (Accessories)

Block No. M5MM

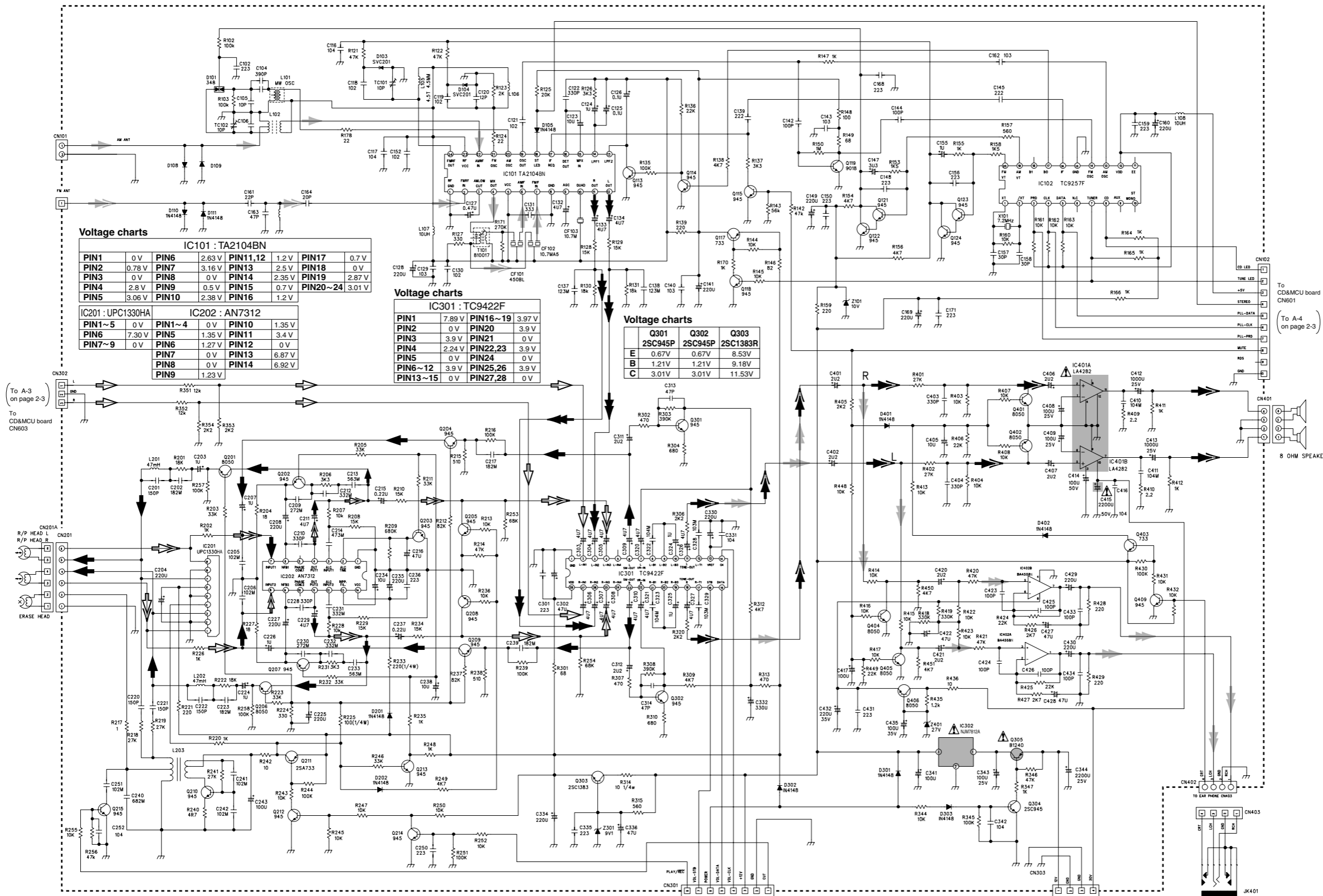
△	Item	Parts number	Parts name	Q'ty	Description	Area
	A 1	OW88-30000-50	INSTRUCTIONS	1	ENG	J
		OW88-30000-52	INSTRUCTIONS	1	ENG,FRA	C
	A 2	OW88-30000-43	USER CARD	1	VAN3000-204	
	A 3	OW88-30000-47	WARRANTY CARD	1	BT52004-2	C
	A 4	OWU-RE-JVC	RREMOTE UNIT	1		
	A 5	-----	BATTERY	2		
	A 6	OW23-04910-02	AM LOOP ANT.	1	4910 L=1M W/JST	
	A 7	UXM3R-SPBOX	SPK.WITH BOX	2		

Block diagram



Standard schematic diagrams

Main section



Voltage charts

IC101 : TA2104BN

PIN1	0V	PIN6	2.63V	PIN11,12	1.2V	PIN17	0.7V
PIN2	0.78V	PIN7	3.16V	PIN13	2.5V	PIN18	0V
PIN3	0V	PIN8	0V	PIN14	2.35V	PIN19	2.87V
PIN4	2.8V	PIN9	0.5V	PIN15	0.7V	PIN20~24	3.01V
PIN5	3.06V	PIN10	2.38V	PIN16	1.2V		

IC201 : UPC1330HA

PIN1~5	0V	PIN1~4	0V	PIN10	1.35V
PIN6	7.30V	PIN5	1.35V	PIN11	3.4V
PIN7~9	0V	PIN6	1.27V	PIN12	0V
		PIN7	0V	PIN13	6.87V
		PIN8	0V	PIN14	6.92V
		PIN9	1.23V		

IC202 : AN7312

PIN1	0V	PIN16~19	3.97V
PIN2	0V	PIN20	3.9V
PIN3	3.9V	PIN21	0V
PIN4	2.24V	PIN22,23	3.9V
PIN5	0V	PIN24	0V
PIN6~12	3.9V	PIN25,26	3.9V
PIN13~15	0V	PIN27,28	0V

IC301 : TC9422F

Q301	2SC945P	Q302	2SC945P	Q303	2SC1383R
E	0.67V	0.67V	8.53V		
B	1.21V	1.21V	9.18V		
C	3.01V	3.01V	11.53V		

IC102 : TC9257F

PIN1	2.61V	PIN11	0V
PIN2	2.61V	PIN12	5.3V
PIN3	5.26V	PIN13	0V
PIN4	5.26V	PIN14	2.5V
PIN5	0.5V	PIN15	2.5V
PIN6	0V	PIN16	2.5V
PIN7	4.25V	PIN17	5.15V
PIN8	0.3V	PIN18	0V
PIN9	0V	PIN19	1.0V
PIN10	0V	PIN20	1.0V

IC401 : LA4282

PIN1	1.0V	PIN7	16.02V
PIN2	0.7V	PIN8	0V
PIN3	16.7V	PIN9	33V
PIN4	0V	PIN10	16.3V
PIN5	0.7V	PIN11	0V
PIN6	1.09V	PIN12	0V

Q304 : 2SC945P

Q304	2SC945P	Q305	2SB1240Q	Q401	8050D
E	0V	14.89V	0V		
B	0.75V	14.1V	0V		
C	0V	14.82V	0V		

Q402 : 8050D

Q402	8050D	Q403	2SA733P	Q404	8050D
E	0V	11.97V	0V		
B	0V	0V	0V		
C	0V	11.85V	0V		

Q405 : 8050D

Q405	8050D	Q406	8050D	Q409	2SC945P
E	0V	27.1V	0V		
B	0V	27.9V	0V		
C	0V	33.6V	11.92V		

Voltage charts

Q113	2SC945P	Q114	2SC945P	Q115	2SC945P
E	0V	0V	0V		
B	0.51V	0V	0V		
C	0V	3.2V	1.33V		

Q117	2SA733P	Q118	2SC945P	Q119	9018G
E	4.56V	0V	0V		
B	5.77V	0.69V	0.73V		
C	6.51V	0V	3.09V		

Q121	2SC945P	Q122	2SC945P	Q123	2SC945P
E	0.63V	0V	0.62V		
B	1.1V	0.63V	1.09V		
C	2.06V	2.06V	4.23V		

Q124 : 2SC945P

E	0V
B	0.62V
C	4.23V

Voltage charts

IC102 : TC9257F

PIN1	2.61V	PIN11	0V
PIN2	2.61V	PIN12	5.3V
PIN3	5.26V	PIN13	0V
PIN4	5.26V	PIN14	2.5V
PIN5	0.5V	PIN15	2.5V
PIN6	0V	PIN16	2.5V
PIN7	4.25V	PIN17	5.15V
PIN8	0.3V	PIN18	0V
PIN9	0V	PIN19	1.0V
PIN10	0V	PIN20	1.0V

IC401 : LA4282

PIN1	1.0V	PIN7	16.02V
PIN2	0.7V	PIN8	0V
PIN3	16.7V	PIN9	33V
PIN4	0V	PIN10	16.3V
PIN5	0.7V	PIN11	0V
PIN6	1.09V	PIN12	0V

Voltage charts

Q304	2SC945P	Q305	2SB1240Q	Q401	8050D
E	0V	14.89V	0V		
B	0.75V	14.1V	0V		
C	0V	14.82V	0V		

Q402	8050D	Q403	2SA733P	Q404	8050D
E	0V	11.97V	0V		
B	0V	0V	0V		
C	0V	11.85V	0V		

Q405	8050D	Q406	8050D	Q409	2SC945P
E	0V	27.1V	0V		
B	0V	27.9V	0V		
C	0V	33.6V	11.92V		

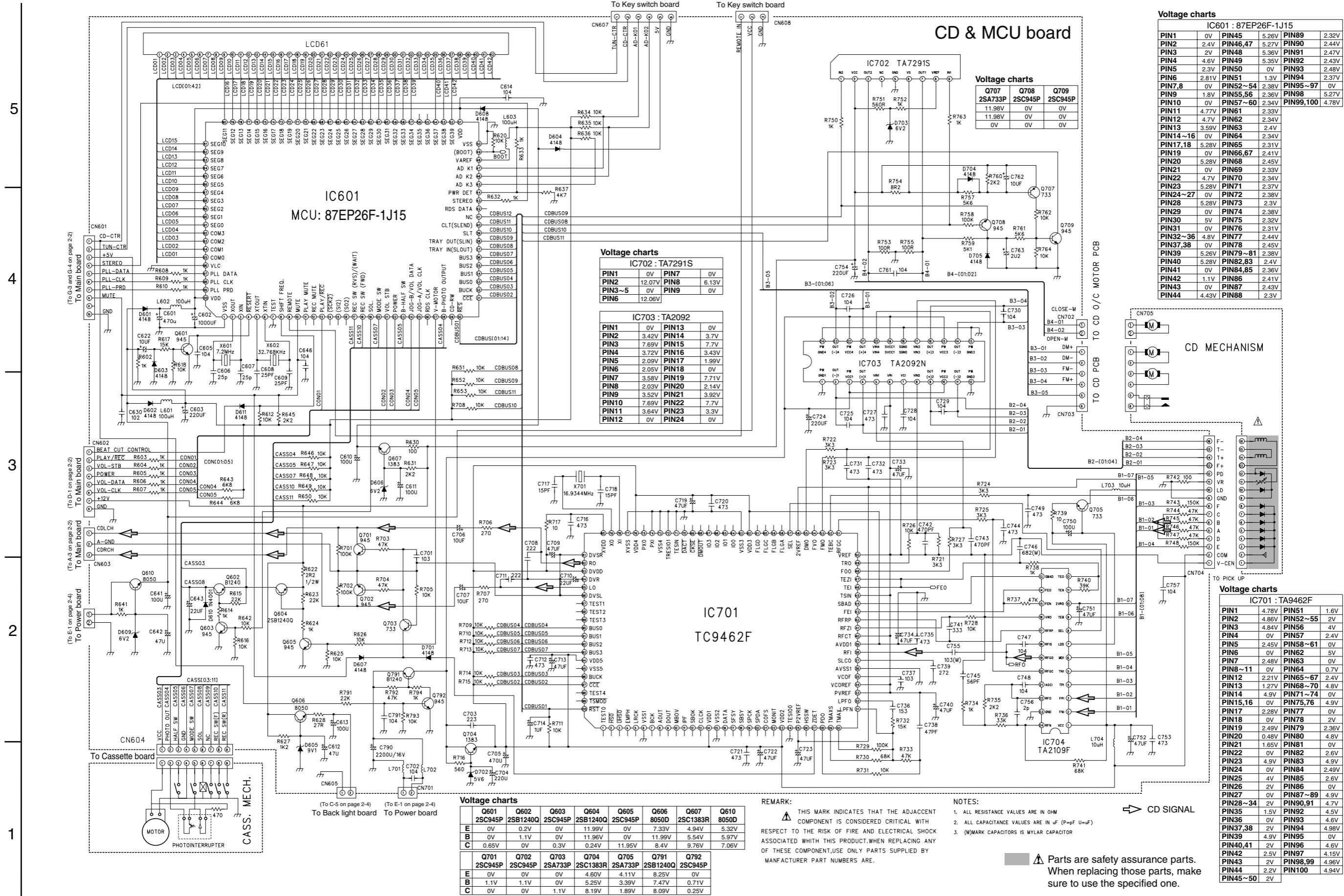
Voltage charts

Q201	8050D	Q202	2SC945P	Q203	2SC945P	Q204	2SC945P	Q205	2SC945P	Q206	8050D	Q207	2SC945P	Q208	2SC945P	Q209	2SC945P	Q211	2SA733P	Q212	2SC945P	Q213	2SC945P	Q214	2SC945P
E	2.1V	0V	0V	0V	0V	2.1V	0V	0V	8.54V	0V	0V	0V	0V	0V	0.65V	0.65V	0.65V	7.66V	0.65V	0.65V	0V	0V	0V	4.59V	
B	2.7V	0V	0.65V	0.65V	0.65V	2.7V	0V	0.65V	0.65V	0.65V	0V	0V	0V	0V	0.65V	0.65V	0.65V	7.66V	0.65V	0.65V	0V	0V	0V	4.59V	
C	2.1V	0.2V	0V	0V	0V	2.1V	0.2V	0V	0V	0V	2.1V	0.2V	0V	0V	0V	0V	0V	8.11V	0V	0V	0V	0V	0V	4.59V	

- ➔ AM SIGNAL
- ➔ FM/RADIO SIGNAL
- ➔ RADIO SIGNAL
- ➔ TAPE PB SIGNAL
- ➔ TAPE REC SIGNAL
- ➔ CD SIGNAL
- ➔ MAIN SIGNAL
- ➔ HEAD PHONE SIGNAL

⚠ Parts are safety assurance parts. When replacing those parts, make sure to use the specified one.

CD & MCU section



Voltage charts

IC601 : 87EP26F-1J15

PIN1	0V	PIN45	5.26V	PIN89	2.32V
PIN2	2.4V	PIN46,47	5.27V	PIN90	2.44V
PIN3	2V	PIN48	5.36V	PIN91	2.47V
PIN4	4.6V	PIN49	5.35V	PIN92	2.43V
PIN5	2.3V	PIN50	0V	PIN93	2.48V
PIN6	2.81V	PIN51	1.3V	PIN94	2.37V
PIN7,8	0V	PIN52~54	2.38V	PIN95~97	0V
PIN9	1.8V	PIN55,56	2.36V	PIN98	5.27V
PIN10	0V	PIN57~60	2.34V	PIN99,100	4.78V
PIN11	4.77V				
PIN12	4.7V				
PIN13	3.59V				
PIN14~16	0V				
PIN17,18	5.28V				
PIN19	0V				
PIN20	5.28V				
PIN21	0V				
PIN22	4.7V				
PIN23	5.28V				
PIN24~27	0V				
PIN28	5.28V				
PIN29	0V				
PIN30	5V				
PIN31	0V				
PIN32~36	0V				
PIN37,38	0V				
PIN39	5.26V				
PIN40	5.28V				
PIN41	0V				
PIN42	1.1V				
PIN43	0V				
PIN44	4.43V				

Voltage charts

IC702 : TA7291S

PIN1	0V	PIN7	0V
PIN2	12.07V	PIN8	6.13V
PIN3~5	0V	PIN9	0V
PIN6	12.06V		

Voltage charts

IC703 : TA2092

PIN1	0V	PIN13	0V
PIN2	3.42V	PIN14	3.7V
PIN3	7.89V	PIN15	7.7V
PIN4	3.72V	PIN16	3.43V
PIN5	2.09V	PIN17	1.99V
PIN6	2.05V	PIN18	0V
PIN7	3.58V	PIN19	7.71V
PIN8	2.03V	PIN20	2.14V
PIN9	3.52V	PIN21	3.92V
PIN10	7.89V	PIN22	7.7V
PIN11	3.64V	PIN23	3.3V
PIN12	0V	PIN24	0V

Voltage charts

IC701 : TA9462F

PIN1	4.78V	PIN51	1.6V
PIN2	4.86V	PIN52~55	2V
PIN3	4.84V	PIN56	4V
PIN4	0V	PIN57	2.4V
PIN5	2.45V	PIN58~61	0V
PIN6	0V	PIN62	5V
PIN7	2.48V	PIN63	0V
PIN8~11	0V	PIN64	0.7V
PIN12	2.21V	PIN65~67	2.4V
PIN13	1.27V	PIN68~70	4.8V
PIN14	4.9V	PIN71~74	0V
PIN15,16	0V	PIN75~76	4.9V
PIN17	2.28V	PIN77	0V
PIN18	0V	PIN78	2V
PIN19	2.49V	PIN79	2.96V
PIN20	0.48V	PIN80	4.8V
PIN21	1.65V	PIN81	0V
PIN22	0V	PIN82	2.6V
PIN23	4.9V	PIN83	4.9V
PIN24	0V	PIN84	2.49V
PIN25	4V	PIN85	2.6V
PIN26	2V	PIN86	0V
PIN27	0V	PIN87~89	4.9V
PIN28~34	2V	PIN90,91	4.7V
PIN35	1.5V	PIN92	4.5V
PIN36	0V	PIN93	4.6V
PIN37,38	2V	PIN94	4.98V
PIN39	4.9V	PIN95	0V
PIN40,41	2V	PIN96	4.6V
PIN42	2.5V	PIN97	4.15V
PIN43	2V	PIN98,99	4.96V
PIN44	2.2V	PIN100	4.94V
PIN45~50	2V		

Voltage charts

Q601	Q602	Q603	Q604	Q605	Q606	Q607	Q610
2SC945P	2SB1240Q	2SC945P	2SB1240Q	2SC945P	8050D	2SC1383R	8050D
E	0V	0.2V	0V	11.99V	0V	7.33V	4.94V
B	0V	1.1V	0V	11.96V	0V	11.99V	5.54V
C	0.65V	0V	0.3V	0.24V	11.95V	8.4V	9.76V
							7.06V

Q701	Q702	Q703	Q704	Q705	Q791	Q792
2SC945P	2SC945P	2SA733P	2SC1383R	2SA733P	2SB1240Q	2SC945P
E	0V	0V	4.60V	4.11V	8.25V	0V
B	1.1V	1.1V	0V	5.25V	3.39V	7.47V
C	0V	0V	1.1V	8.19V	1.89V	8.09V
						0.25V

REMARK:

THIS MARK INDICATES THAT THE ADJACENT COMPONENT IS CONSIDERED CRITICAL WITH RESPECT TO THE RISK OF FIRE AND ELECTRICAL SHOCK ASSOCIATED WITH THIS PRODUCT. WHEN REPLACING ANY OF THESE COMPONENTS, USE ONLY PARTS SUPPLIED BY MANUFACTURER PART NUMBERS ARE.

- NOTES:**
- ALL RESISTANCE VALUES ARE IN OHM
 - ALL CAPACITANCE VALUES ARE IN uF (P=PPF U=uF)
 - (M) MARK CAPACITORS IS MYLAR CAPACITOR

Parts are safety assurance parts. When replacing those parts, make sure to use the specified one.

5
4
3
2
1

A B C D E F G

■ Key switch section

■ Power section

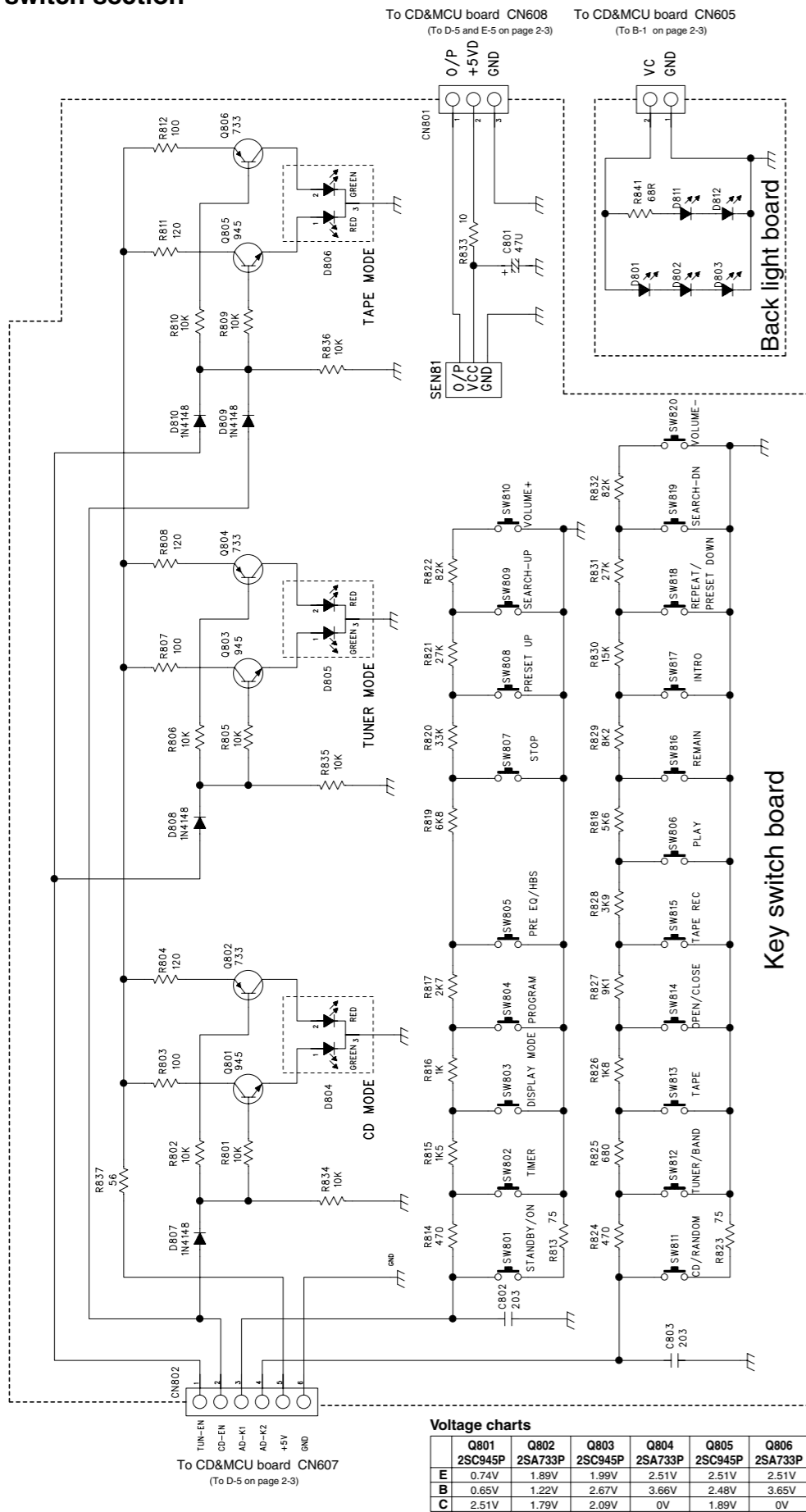
5

4

3

2

1



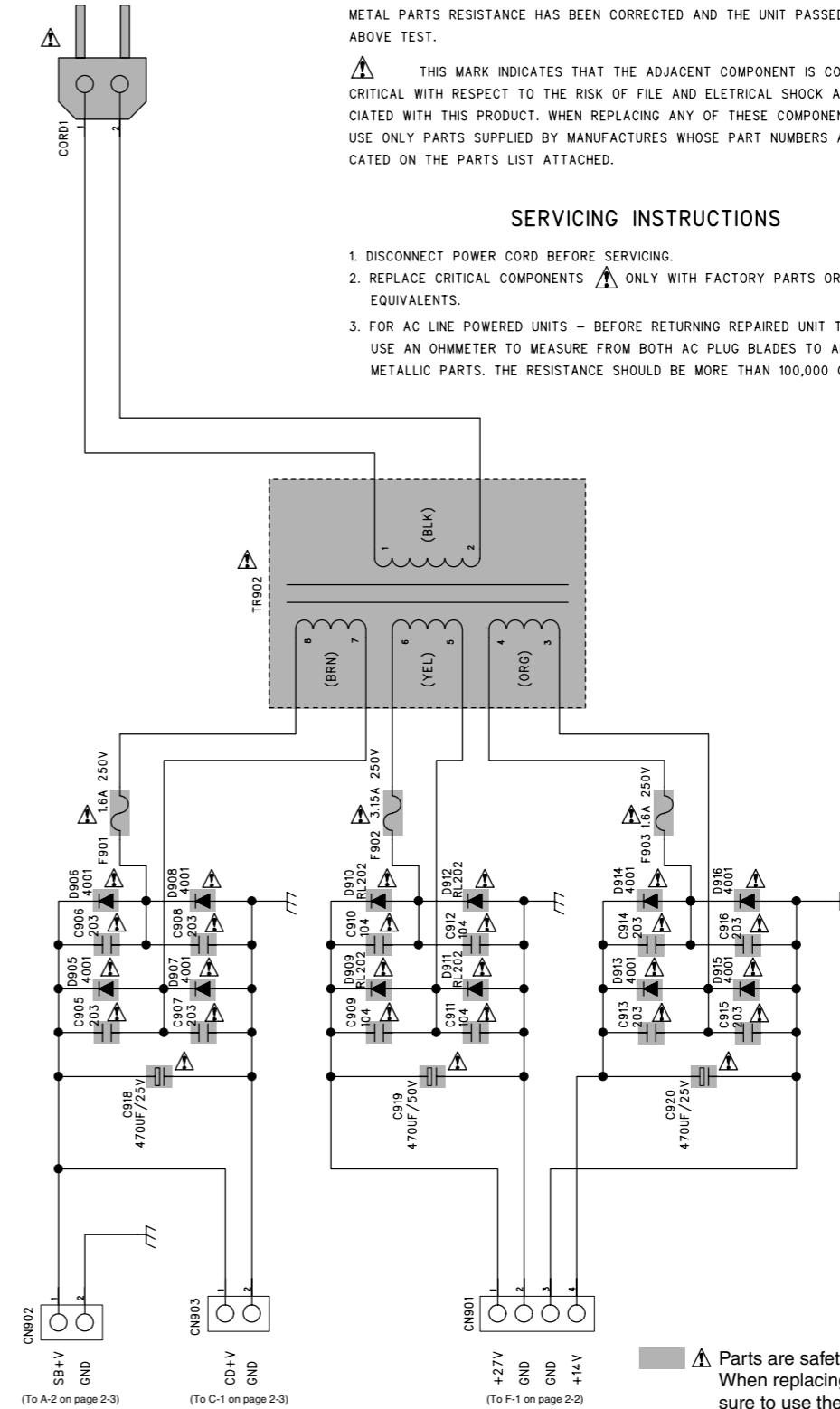
WARING

AFTER COMPLETING THE SERVICING OF THIS PRODUCT AND BEFORE RETURNING IT TO YOUR CUSTOMER MEASURE THE RESISTANCE BETWEEN BOTH PRONGS OF THE AC PLUG AND ALL EXPOSED METAL PARTS TO BE SURE IT EXCEEDS 2.2 MEGAOHMS (POWER SWITCH IF ANY SHOULD BE IN ITS ON POSITION). IF THE RESISTANCE MEASURED IS LESS THAN 2.2 MEGAOHMS, THE UNIT SHOULD NOT BE RETURNED TO THE CUSTOMER UNTIL THE CAUSE FOR THE REDUCED POWER LINE TO EXPOSED METAL PARTS RESISTANCE HAS BEEN CORRECTED AND THE UNIT PASSED THE ABOVE TEST.

⚠ THIS MARK INDICATES THAT THE ADJACENT COMPONENT IS CONSIDERED CRITICAL WITH RESPECT TO THE RISK OF FIRE AND ELECTRICAL SHOCK ASSOCIATED WITH THIS PRODUCT. WHEN REPLACING ANY OF THESE COMPONENTS, USE ONLY PARTS SUPPLIED BY MANUFACTURERS WHOSE PART NUMBERS ARE INDICATED ON THE PARTS LIST ATTACHED.

SERVICING INSTRUCTIONS

1. DISCONNECT POWER CORD BEFORE SERVICING.
2. REPLACE CRITICAL COMPONENTS ⚠ ONLY WITH FACTORY PARTS OR RECOMMENDED EQUIVALENTS.
3. FOR AC LINE POWERED UNITS - BEFORE RETURNING REPAIRED UNIT TO USER, USE AN OHMMETER TO MEASURE FROM BOTH AC PLUG BLADES TO ALL EXPOSED METALLIC PARTS. THE RESISTANCE SHOULD BE MORE THAN 100,000 OHMS.



⚠ Parts are safety assurance parts. When replacing those parts, make sure to use the specified one.

A

B

C

2-4

D

E

F

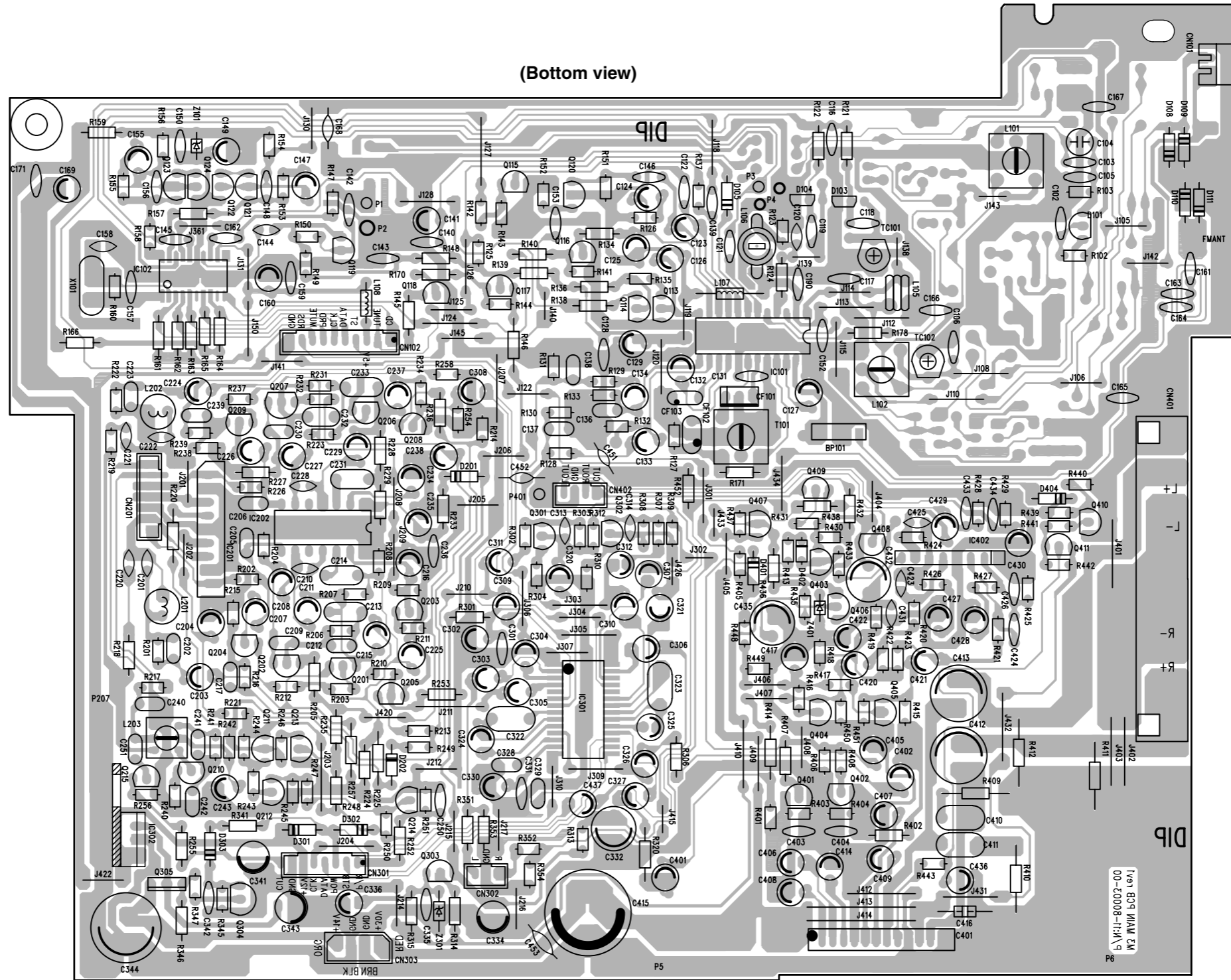
G

H

Printed circuit boards

■ Main board

(Bottom view)

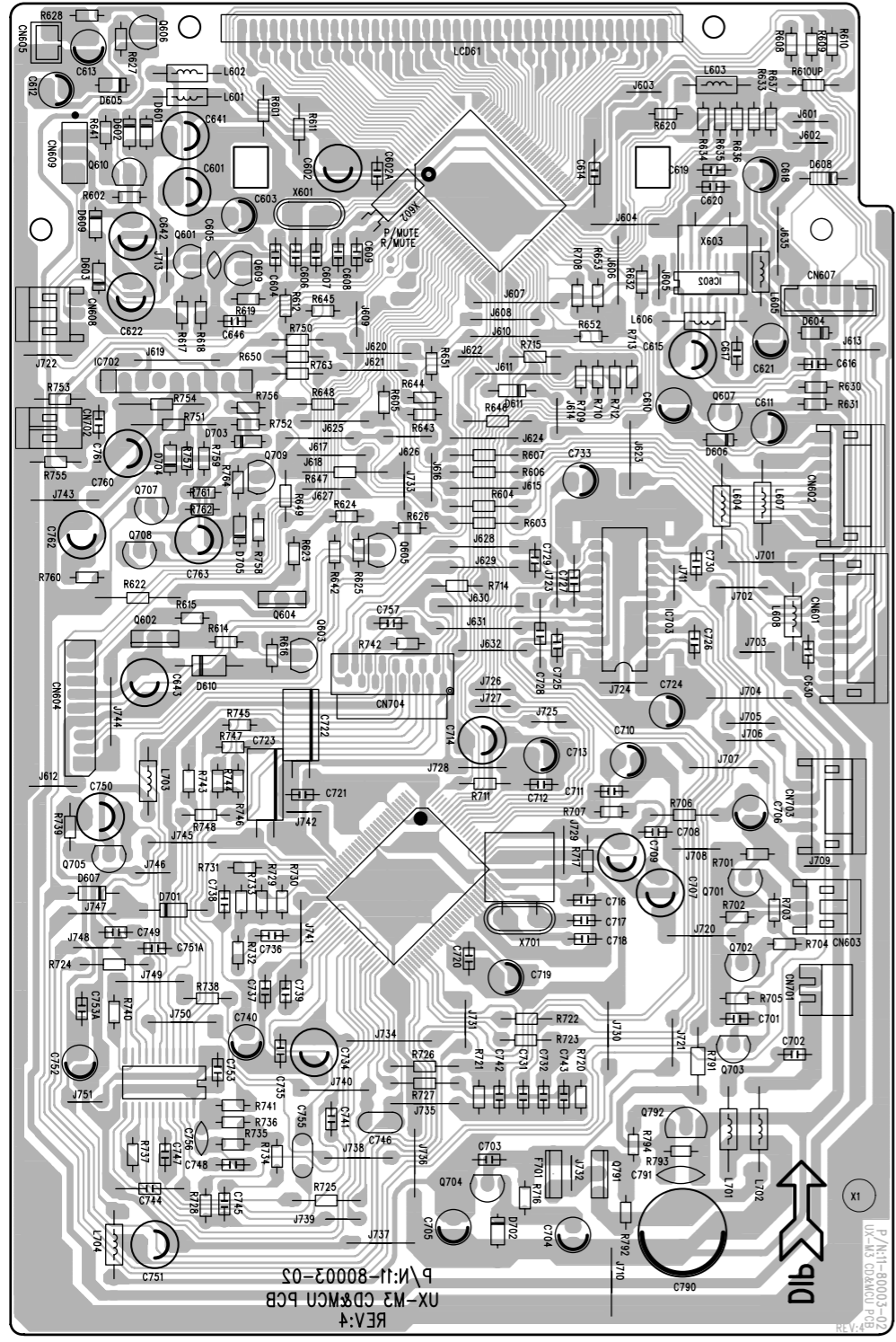


5
4
3
2
1

A B C D E F G 2-5

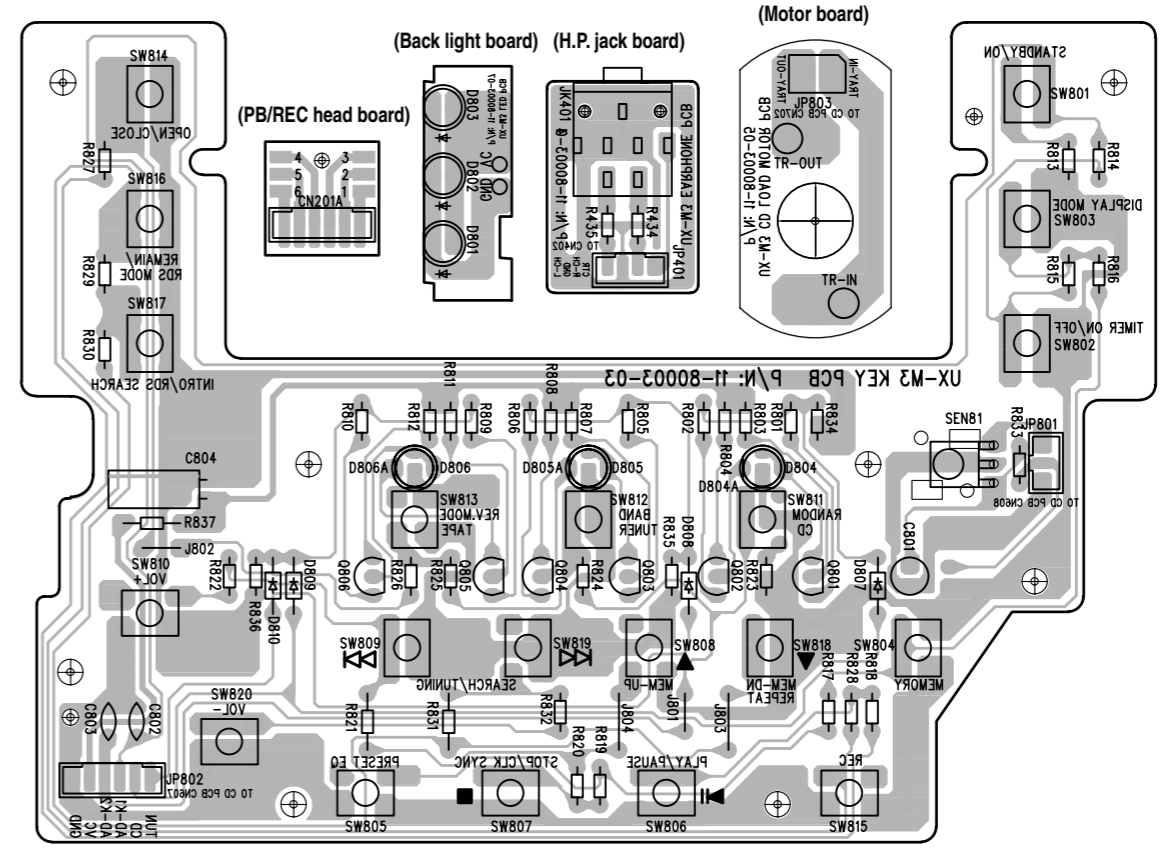
CD & MCU board

(Bottom view)



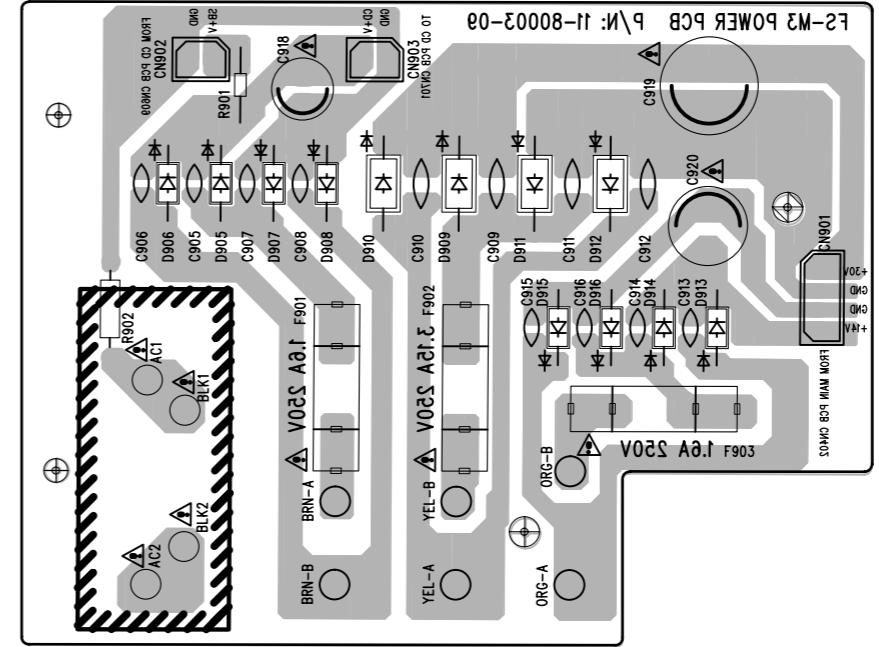
Key switch board

(Bottom view)



Power board

(Bottom view)



5
4
3
2
1

A B C 2-6 D E F G H